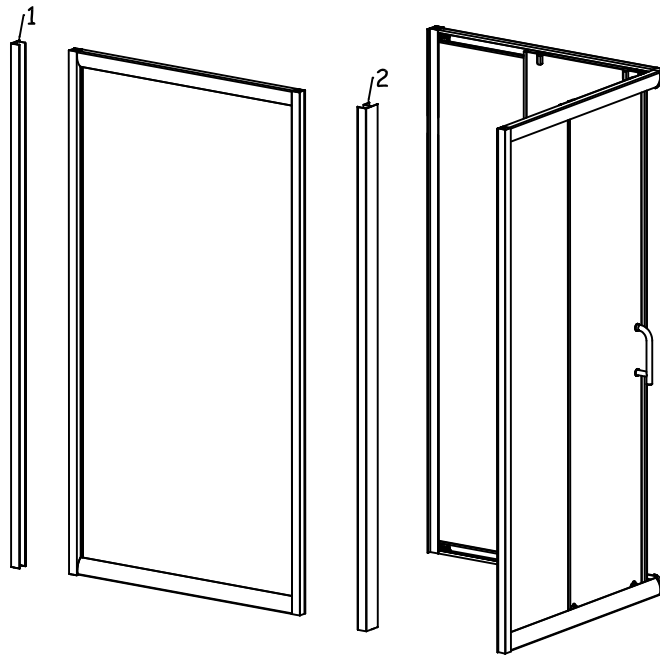
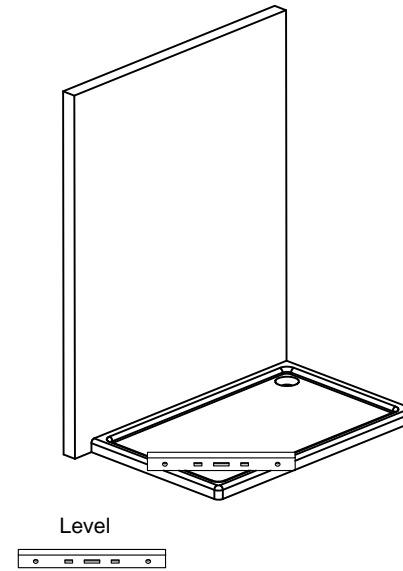


ASSEMBLY INSTRUCTIONS ALABAMA TRIO

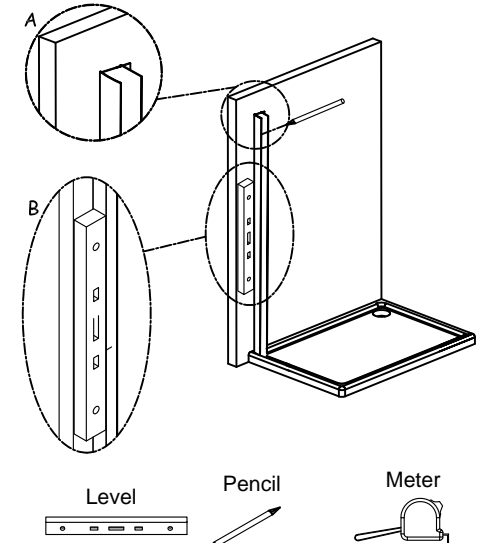
- 1. Vertical upright 1x
- 2. Corner profile 1x



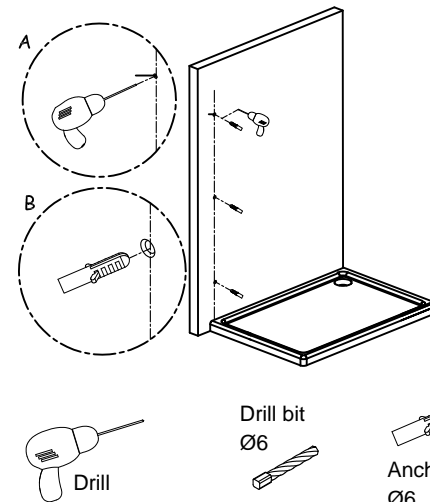
1. Fix the shower tray perfectly level so that the drain is connected securely.



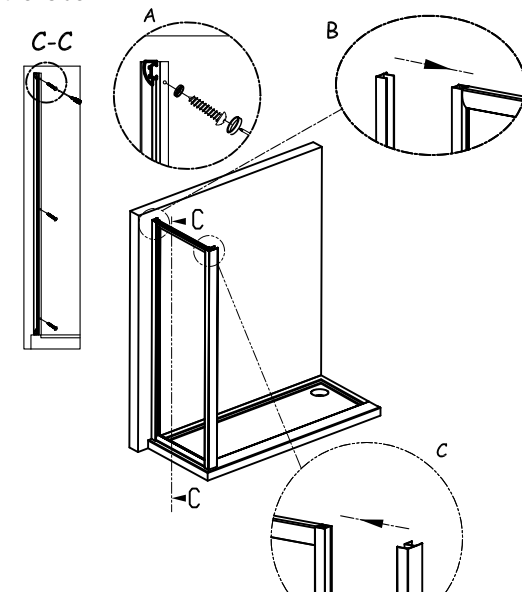
2. Place against the wall the profiles in the indicated positions, ensure they are perfectly vertical with the level and mark the positions.



3. Remove the wall profiles, pierce 6 holes $\Phi 6$ (fig. A) and insert the 6 anchors (vedi fig. B)

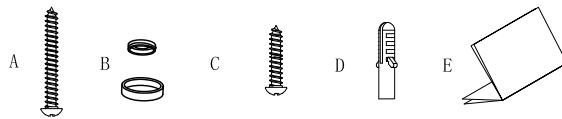


4. Installing fix side panel: insert the glass into the wall profile, secure it, and insert the corner profile on the other side.

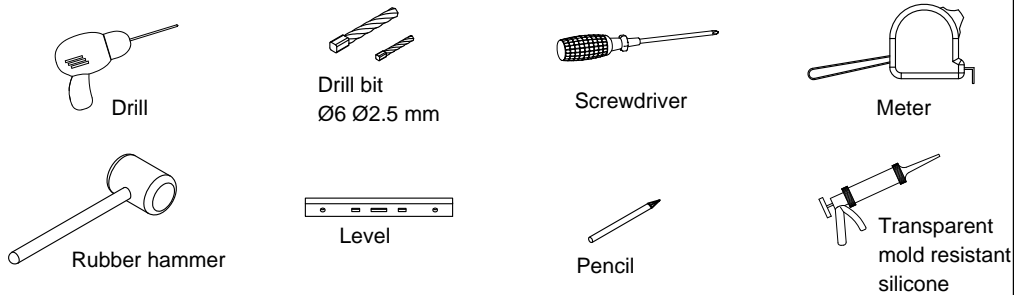


Assembly Kit:

- A. ST3.9*32 screws x3
- B. Corner covers x3
- C. ST3.5*10 screws x9
- D. Anchors $\Phi 6$ x3
- E. Manual x1

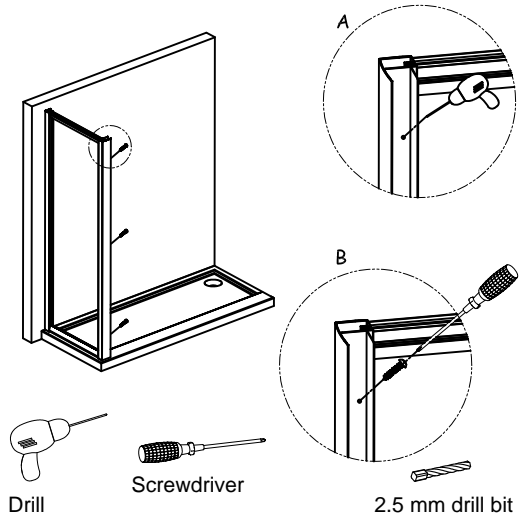


Tools:

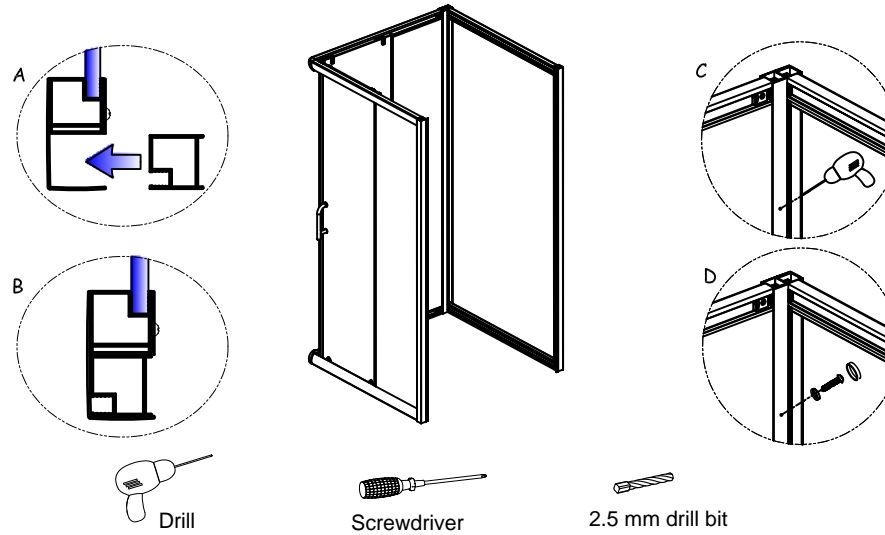


ASSEMBLY INSTRUCTIONS ALABAMA TRIO

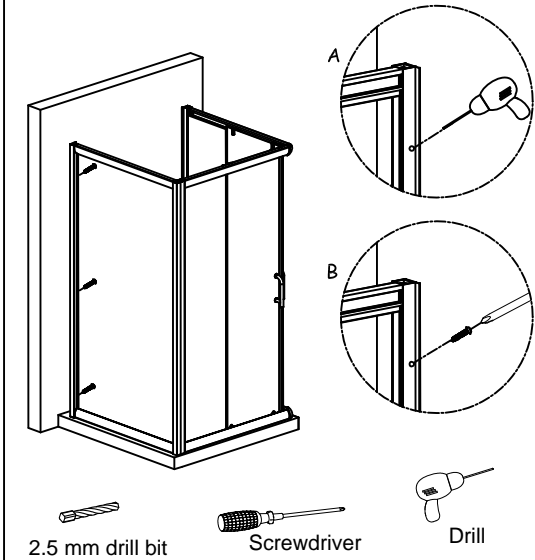
5. Adjust the position of the corner profile then drill 2.5 mm holes at the designated positions, and then secure the corner profile to the fix panel with ST3.5*10 screws.



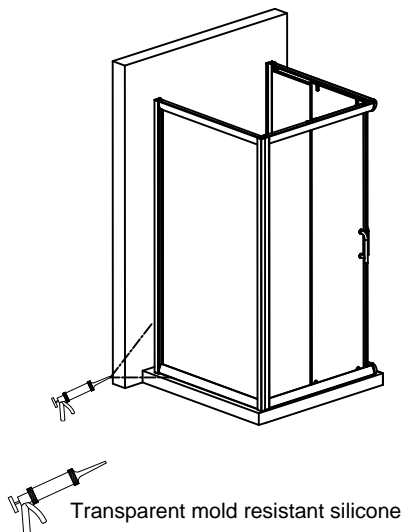
6. adjust the position of the shower enclosure, drill where prepared in order to secure the corner profile with the upright of the fixed panel, by using ST3.5*10 screws.



7. a. drill profiles with the wall profile with drill bit of 2.5 mm where prepared.
b. Secure with ST3.5*10 screws.



8. Clean the glass and inject the silicone for better fixation and sealing of the enclosure.



9. Wait 24 hours before using the shower enclosure.

