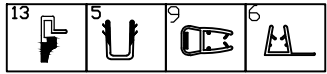
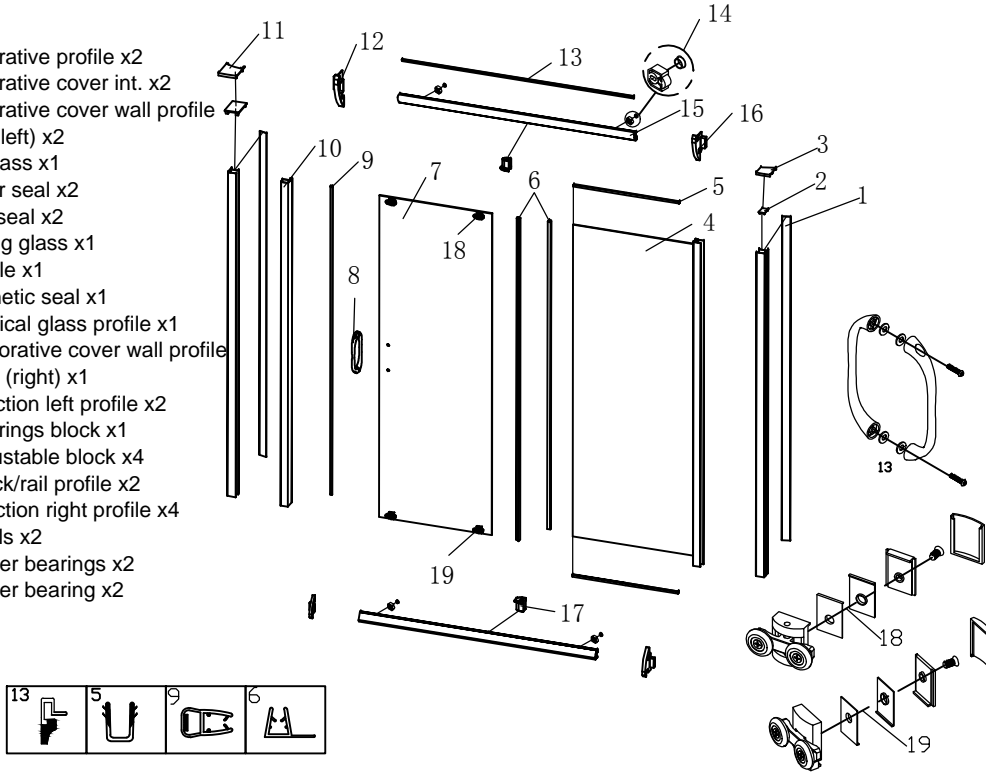


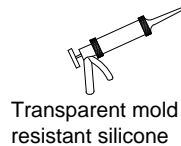
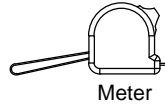
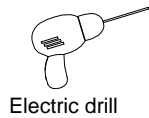
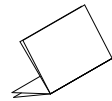
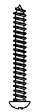
ASSEMBLY INSTRUCTIONS ARKANSAS

SIDE OPENING

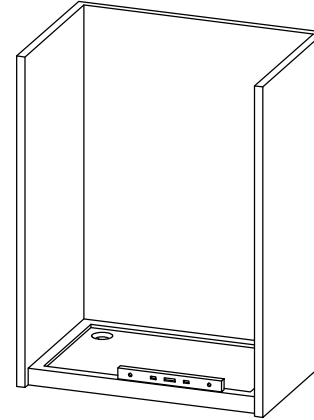
1. Decorative profile x2
2. Decorative cover int. x2
3. Decorative cover wall profile side (left) x2
4. Fix glass x1
5. Cover seal x2
6. Flap seal x2
7. Sliding glass x1
8. Handle x1
9. Magnetic seal x1
10. Vertical glass profile x1
11. Decorative cover wall profile side (right) x1
12. Junction left profile x2
13. Bearings block x1
14. Adjustable block x4
15. Track/rail profile x2
16. Junction right profile x4
17. Seals x2
18. Upper bearings x2
19. Lower bearing x2



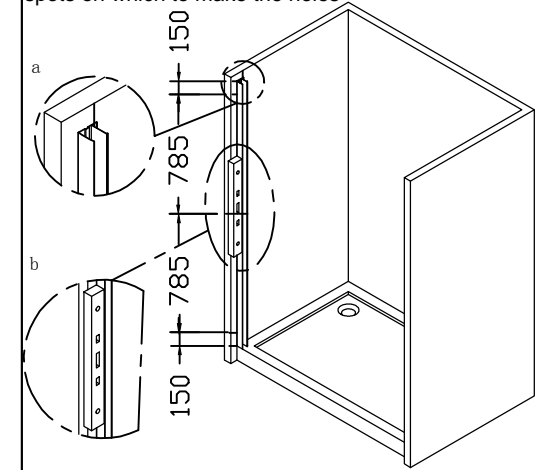
- A. ST4*32 gWYkg L 14
 B. ST3. 5*16 gWYkg X 10 A
 C. 5bWcfg Ø6 X 6



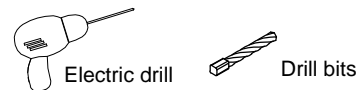
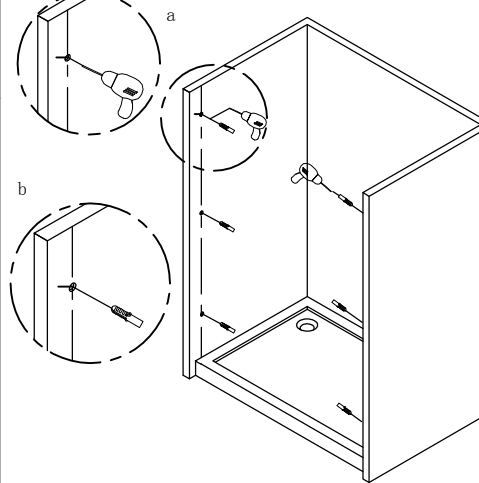
1. Before assembling the enclosure, fix properly the shower tray (NOT INCLUDED) with help of a level.



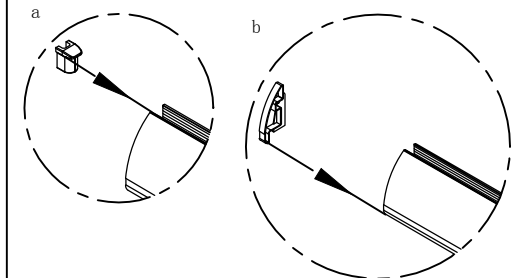
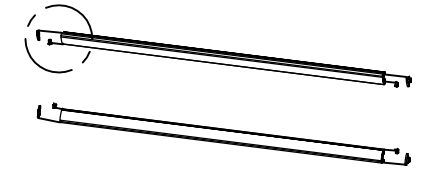
2. Place the wall profile on shower tray (see fig. a), then adjust the verticality with the level (fig. b) and mark with a pencil the spots on which to make the holes



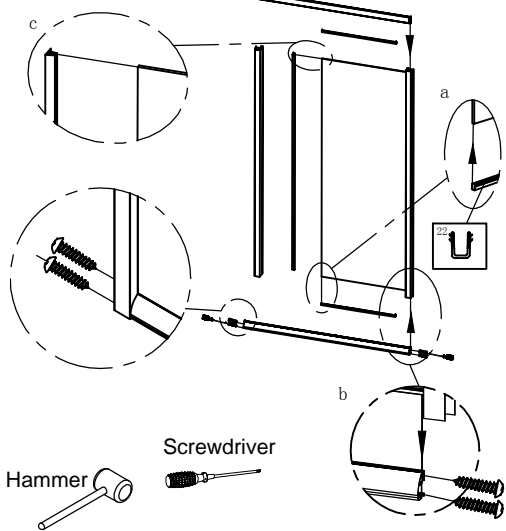
3. Remove the wall profiles, pierce 6 holes $\Phi 6$ (fig. a) and insert the 6 anchors (vedi fig. b)



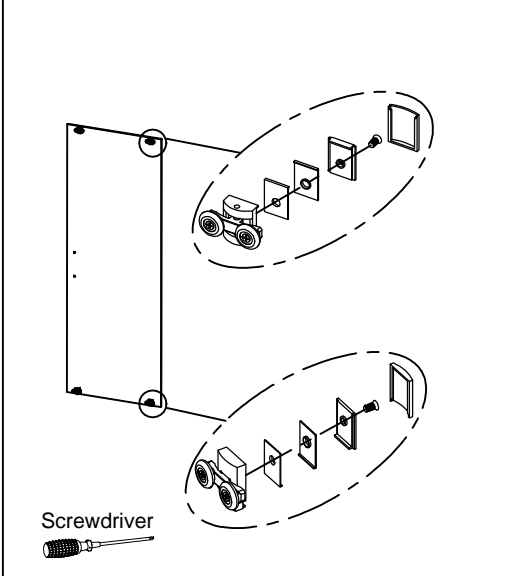
4. fig. a. Insert the seals in the upper and lower track/rail profile. Repeat the procedure for the left and right junction profile like fig. b.



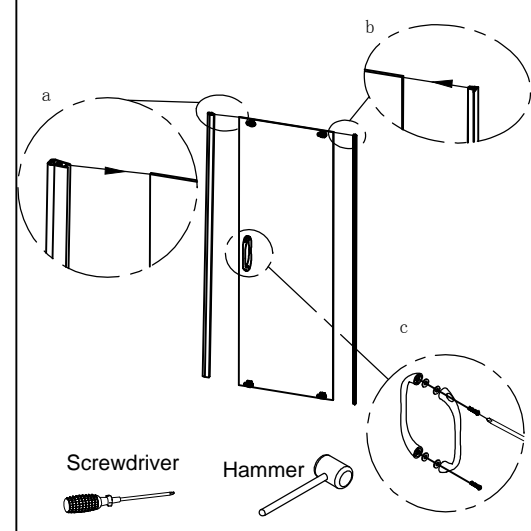
5. Secure the seal cover in the upper and lower part of the fix glass (fig. a). Insert the fix glass within the lower track/rail profile (fig. b). Attach the flap seal on the fix glass (fig. c)



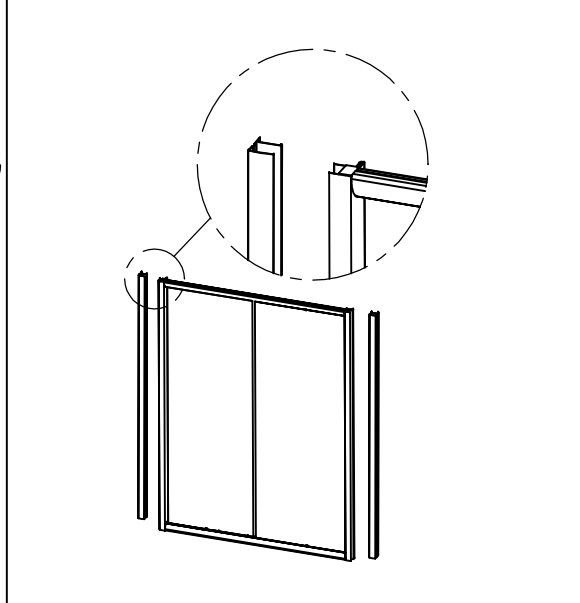
6. Install the upper and lower bearings on the sliding door as in picture



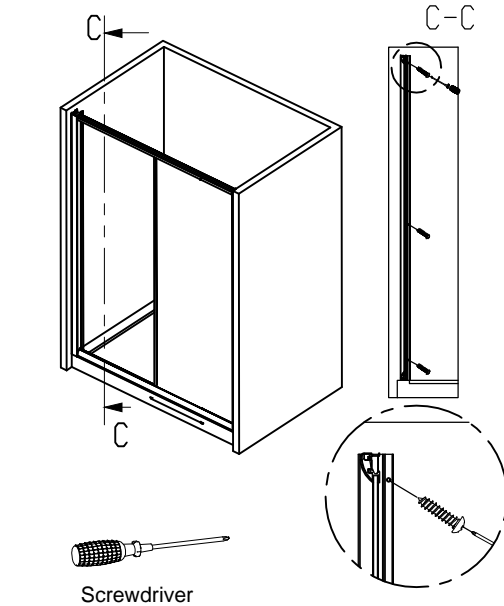
7. Insert the magnetic seal on the sliding door (fig. a) and afterwards the flap seal (fig. b) Assemble the handle, with the appropriate screws, on glass (fig. c)



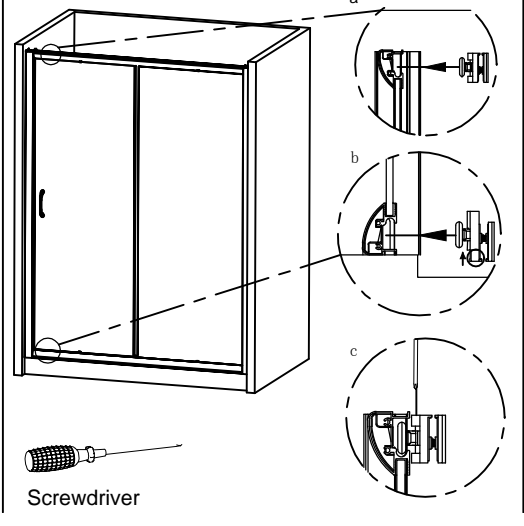
8. Insert, on both sides, the wall profile to the frame profile.



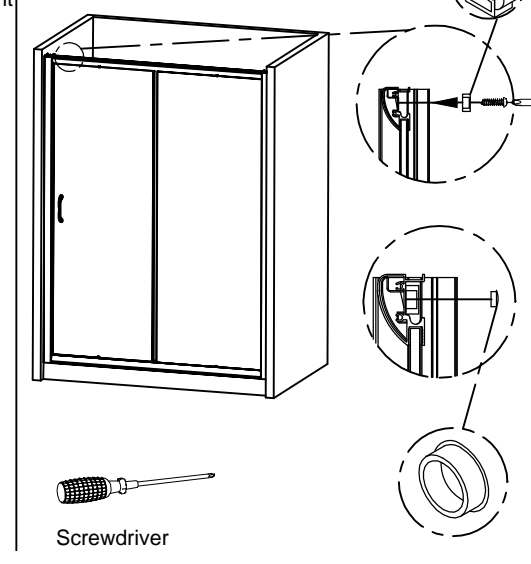
9. Fix the wall and frame profile to the wall with the 3 ST4 * 32 screws.



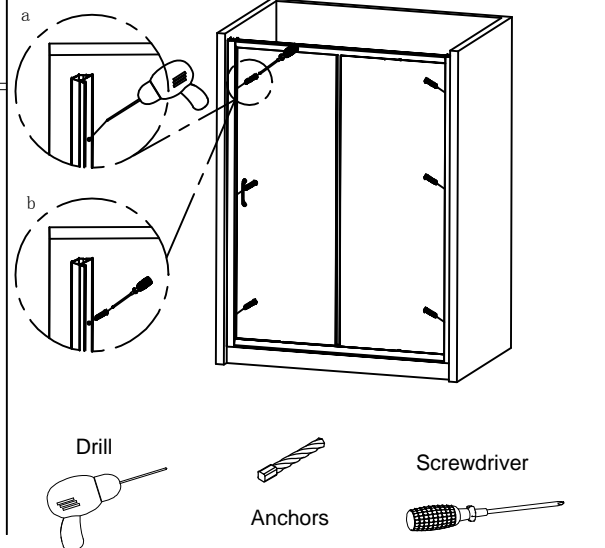
10. Insert the upper bearings within the upper track/rail profile (fig. a). Press the little button of lower bearings and place them at the bottom track/rail profile (fig. b) Adjust the upper bearings by acting on the adjustment screws (fig. c)



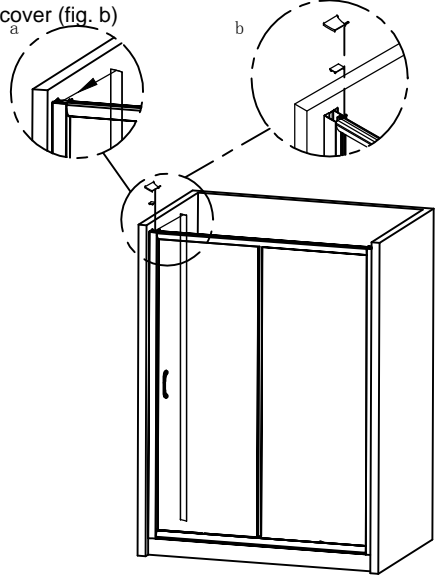
11. Adjust the sliding door position and screw the adjustable block on the decorative cover of the upper profile



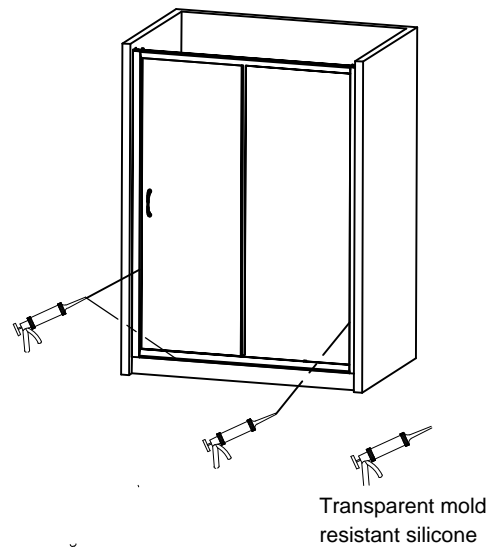
12. Drill Ø3 holes on the vertical glass profile taking into account the holes previously made on profile wall side (fig. a) Fix to the wall the frame and sliding profile with ST3*16 screws (fig. b)



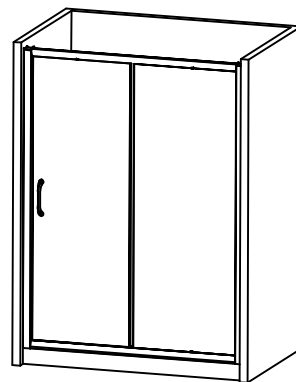
13. Install the decorative profile (fig. a) and apply in the correct position the decorative cover and inner cover (fig. b)



14. Clean the glass and apply the mold resistant silicone on sides of the profiles and shower tray.



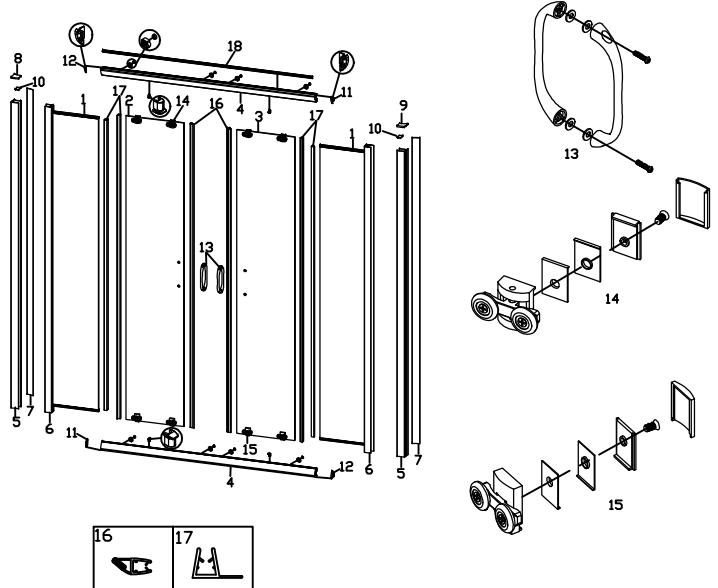
15. Wait 24 hours before using the shower enclosure.



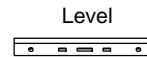
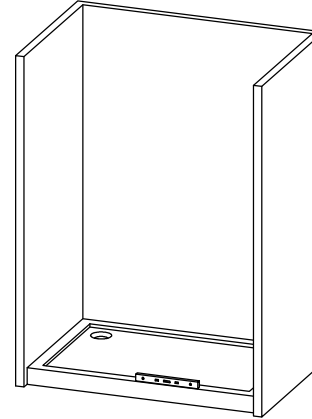
ASSEMBLY INSTRUCTIONS ARKANSAS

CENTRAL OPENING

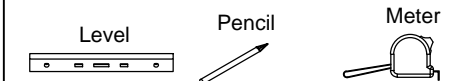
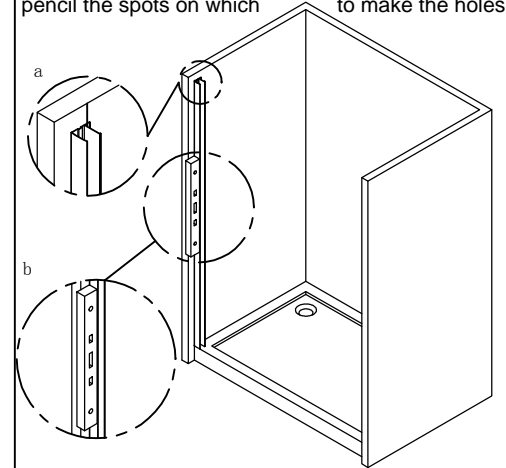
1. 18. 1 x2
2. 18. 1 x1
3. 18. 2 x1
4. 18. 1 x2
5. 18. 1 x2
6. 18. 1 x2
7. 18. 1 x2
8. 18. 1 x1
9. 18. 1 x1
10. 18. 2 x2
11. 18. 1 x2
12. 18. 1 x2
13. 18. 2 x2
14. 18. 1 x4
15. 18. 1 x4
16. 18. 2 x2
17. 18. 1 x4
18. 18. 1 x1



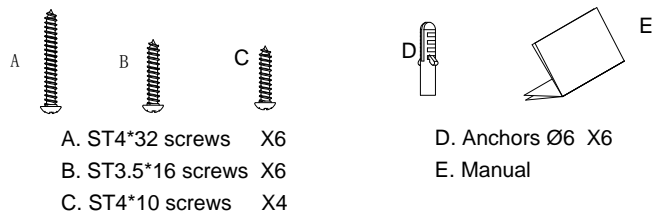
1. Before assembling the enclosure, fix properly the shower tray (NOT INCLUDED) with help of a level.



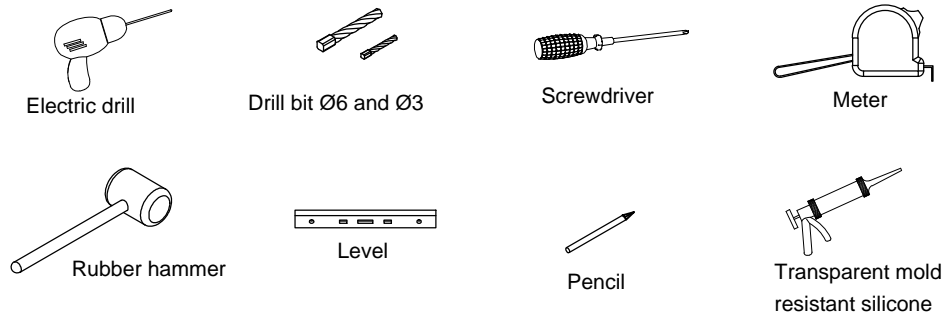
2. Place the wall profile on shower tray (see fig. a), then adjust the verticality with the level (fig. b) and mark with a pencil the spots on which to make the holes



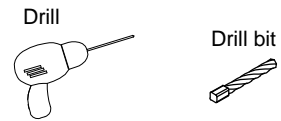
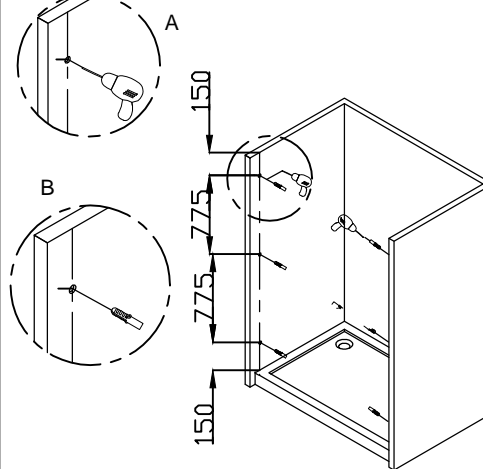
Assembly Kit:



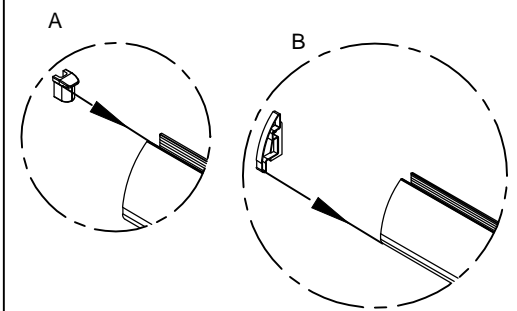
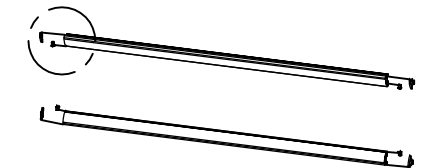
Tools:



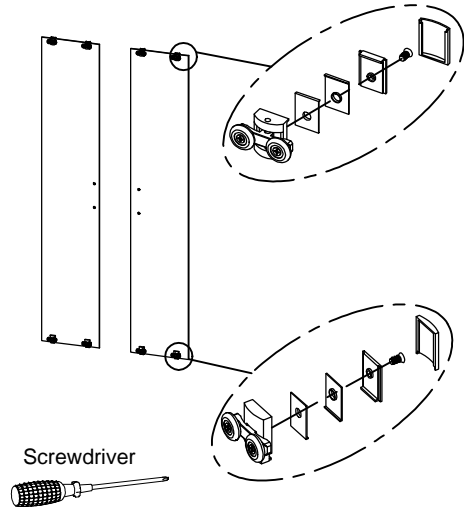
3. Remove the wall profiles, pierce 6 holes $\Phi 6$ (fig. A) and insert the 6 anchors (vedi fig. B)



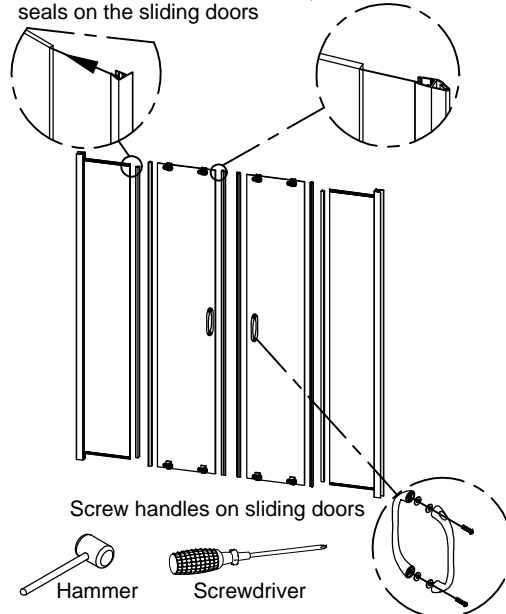
4. fig. A. Insert the seals in the upper and lower track/rail profile. Repeat the procedure for the left and right junction profile like fig. B.



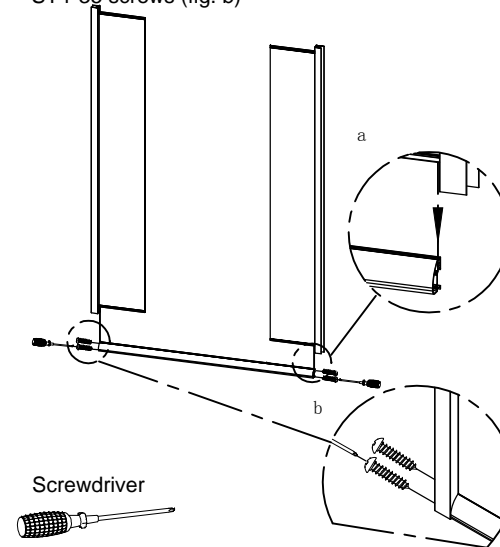
5.1. Install the upper and lower bearings on the sliding door as in picture



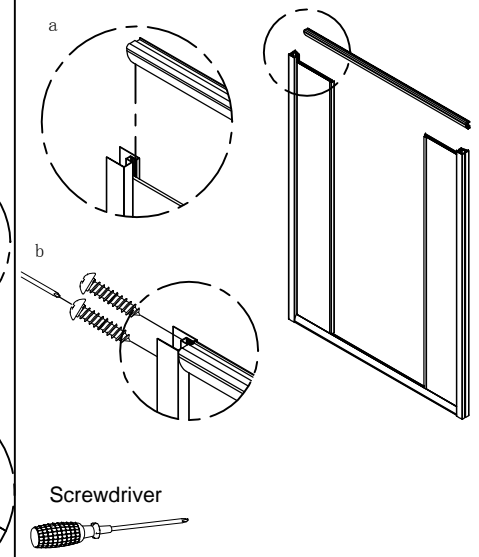
6. Insert the flpa seals on all glasses and the magnetic seals on the sliding doors



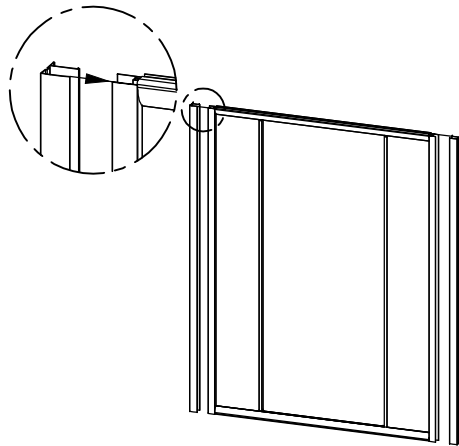
7.1. Insert the bottom edge of fixed glass in the lower track/rail profile (fig. a)
Fix the glass profile to bottom track/rail profile with ST4*35 screws (fig. b)



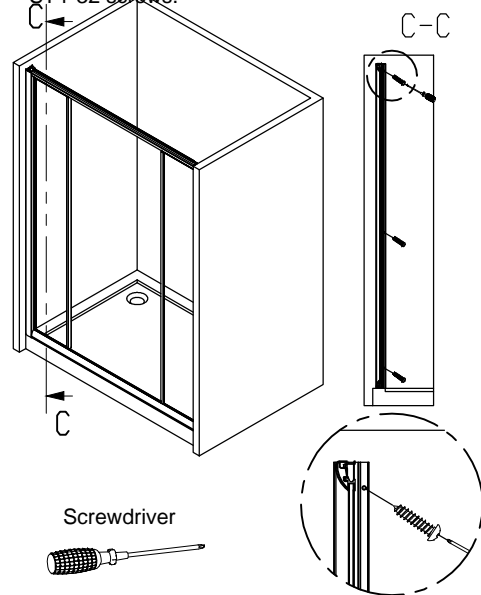
8.1. Apply the upper track/rail profile to the fixed glass (fig.a) and secure the vertical glass profile with upper track/rail profile with ST4*35 screws (fig. b)



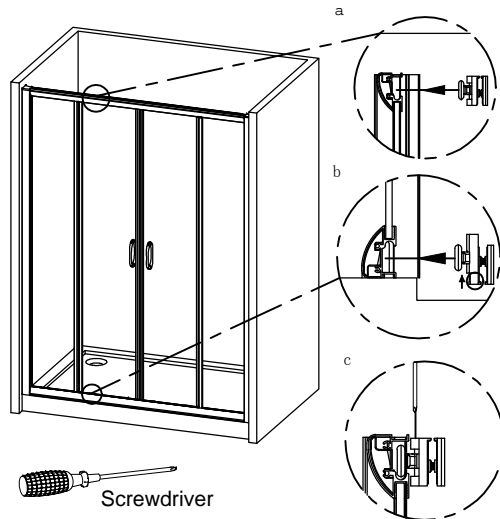
9. Overlap, on both sides, the wall profile to the frame profile.



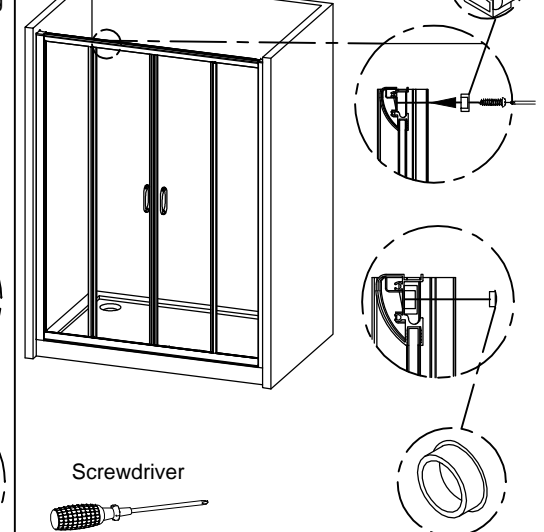
10. Fix the wall and frame profile to the wall with the 3 ST4*32 screws.



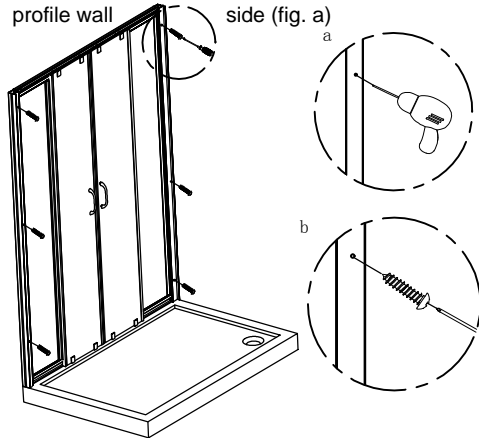
11.1 Insert the upper bearings within the upper track/rail profile (fig. a). Press the little button of lower bearings and place them at the bottom track/rail profile (fig. b). Adjust the upper bearings by acting on the adjustment screws (fig. c)



12. Adjust the sliding door position and screw the adjustable block on the decorative cover of the upper profile



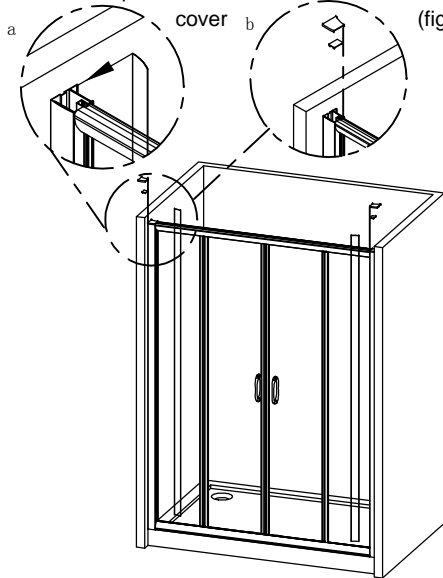
13.1 Drill $\varnothing 3$ holes on the vertical glass profile taking into account the holes previously made on wall profile wall side (fig. a)



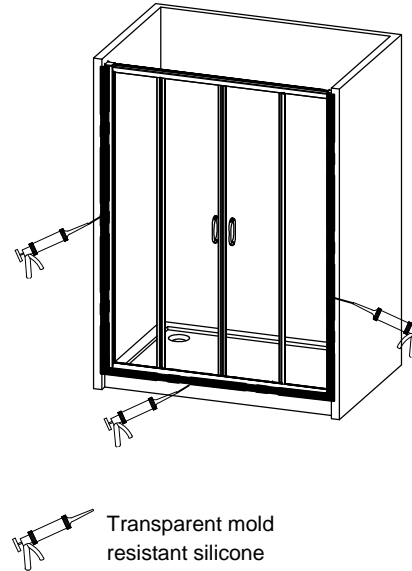
Fix profile and wall profile onto the wall with ST3*16 screws (b)



14.1 Install the decorative profile (fig. a) and apply in the correct position the decorative cover and inner cover (fig. b)



Clean the glass and apply the mold resistant silicone on sides of the profiles and shower tray.



Wait 24 hours before using the shower enclosure.

