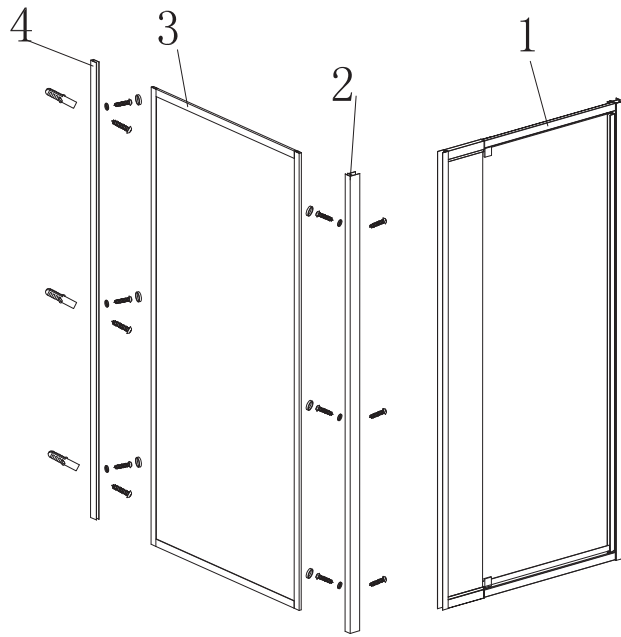


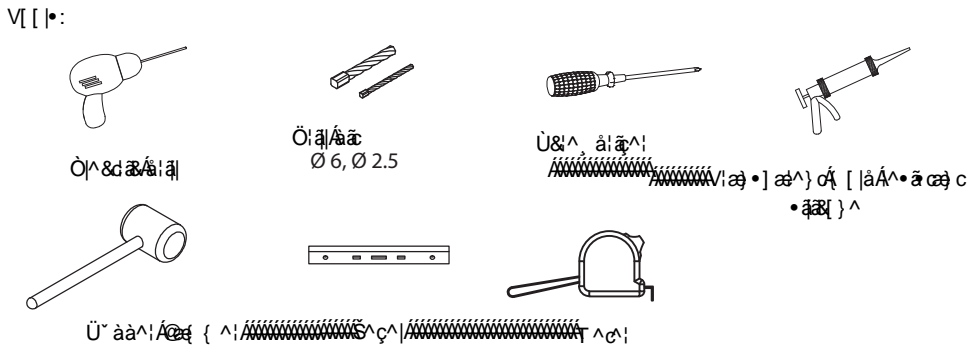
ASSEMBLY DAKOTA DUO / TRIO

* FOR DAKOTA TRIO THE FIX WALL PANEL ASSEMBLY HAS TO BE DONE FOR BOTH SIDES

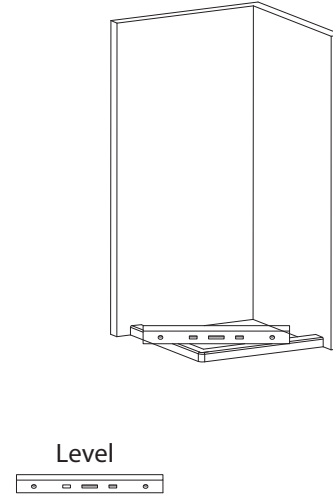


- 1. PIVOT DOOR SIDE 2X
- 2. CORNER PROFILE 1X
- 3. FIX SIDE PANEL 1X
- 4. WALL PROFILE 1X

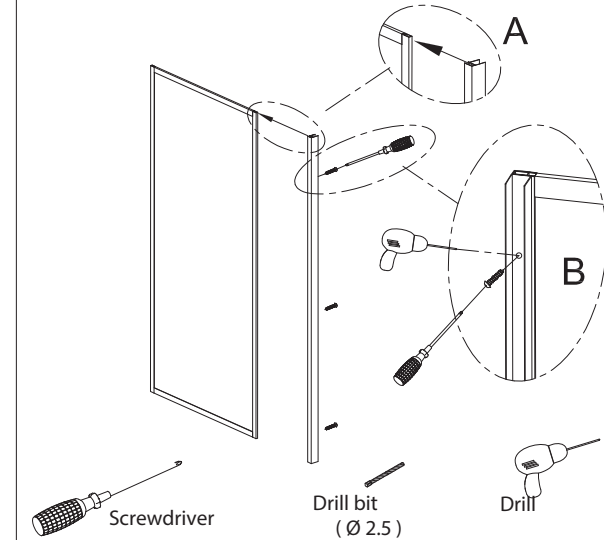
- A. ST3.9*32 screws x3
- B. ST3.9*12 screws x9
- C. Anchors Ø 6 x3
- D. Manual x1
- E. Screw covers x3



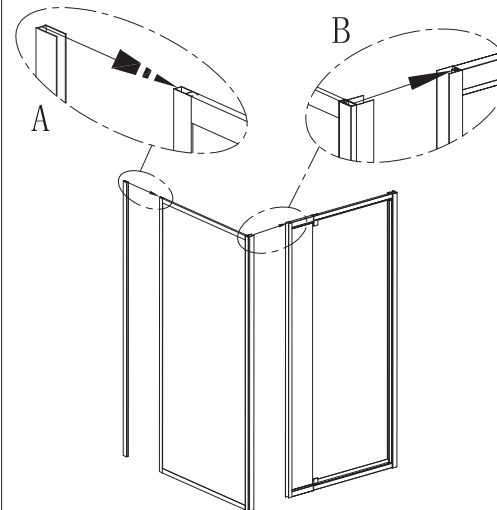
1. Before assembling the enclosure, fix properly the shower tray (NOT INCLUDED) with help of a level.



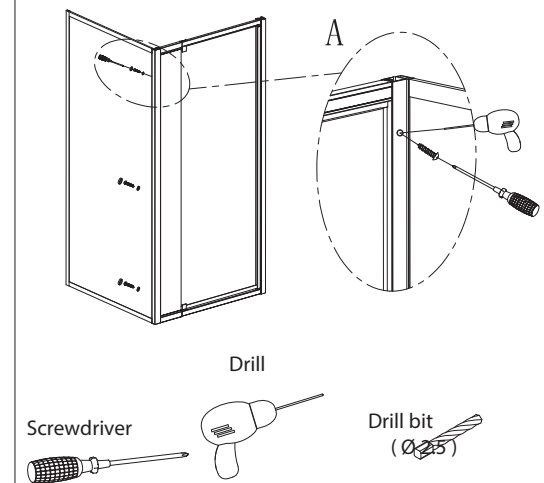
2.1 Like fig. A, insert the corner profile to the profile of fix side panel.
2. In accordance with the corner profile holes, drill Ø 3 holes.



3. Like fig. A, install the fix side panel and insert the corner profile (fig. B) on opposite side.

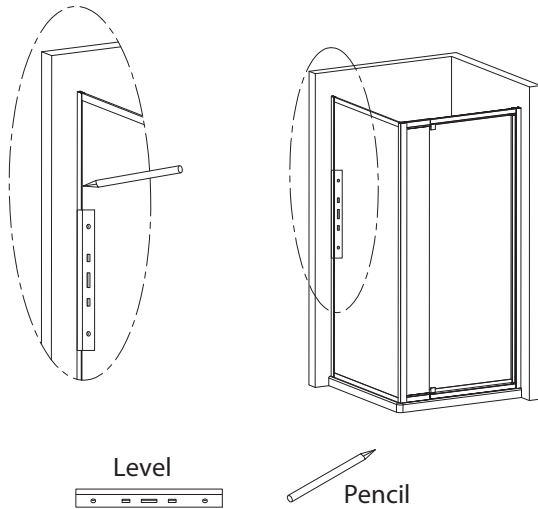


4. According the corner profile position, drill 3 mm holes in designated positions then fasten the profile to fix panel using the ST3.9*12 screws.

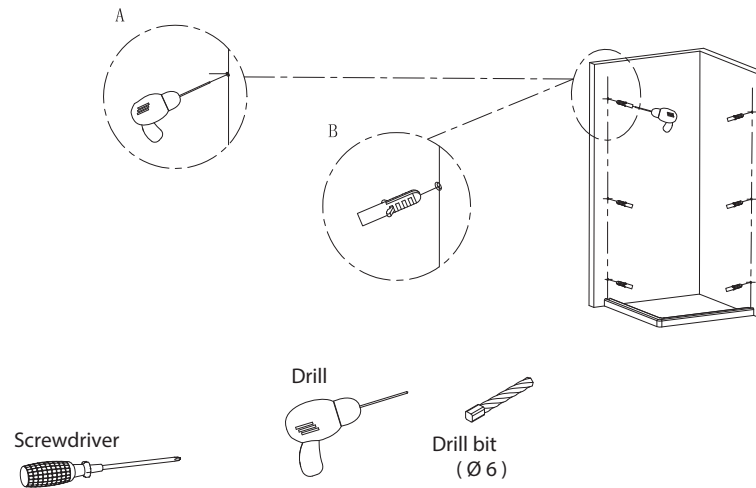


ASSEMBLY DAKOTA DUO / TRIO

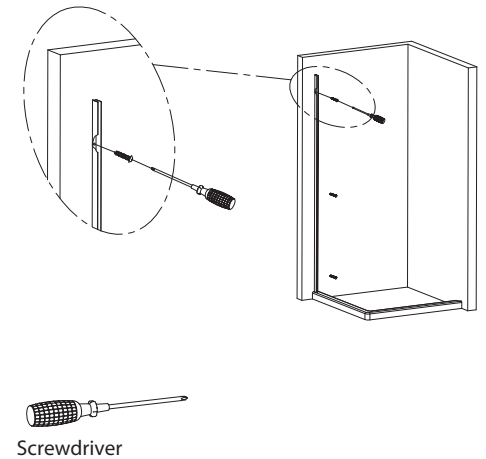
5. Place against the wall the profiles in the designated positions, ensure they are perfectly vertical with the level and mark the positions with pencil.



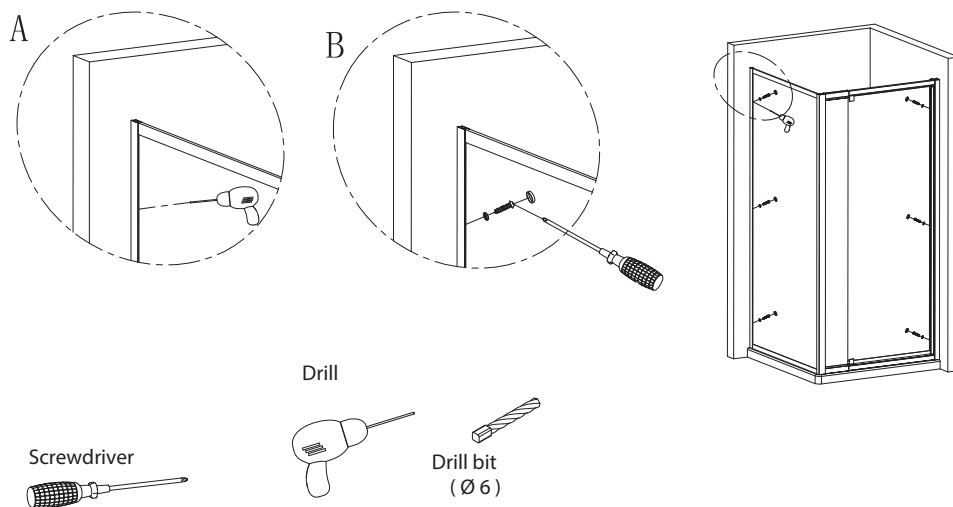
6. Remove the enclosure, pierce 6 holes of 6 mm (fig. A) then insert the anchors and screws in holes (fig. B).



7. According to the holes positions, fasten the corner profile with ST3.9*32 screws.



8. Place the enclosure on the wall, according to the corner profile holes, drill a 3 mm hole on wall profile (fig. A) then fasten it with ST3.9*12 screw and cover (fig. B).



9. Clean the glass and inject the mold resistant silicone for better fixation and sealing. Wait 24 hours before using the shower enclosure.

