

SMC TRAY

SMC TRAY

SMC TRAY Operation Manual

In case there are some different between picture and produces, please take the products as standard or refer to the sample! We will assume no responsibility for difference, pls understand without further notice.

Professional Focus, Do Ours Best!

SMC TRAY

New Sanitary Material - SMC

SMC material : Its full name is "Sheet molding compound" main material is GF special yarn , UP unsaturated polyester low profile additive and MD padding and other auxiliaries. At first used in the plane space military products, so are often called space materials

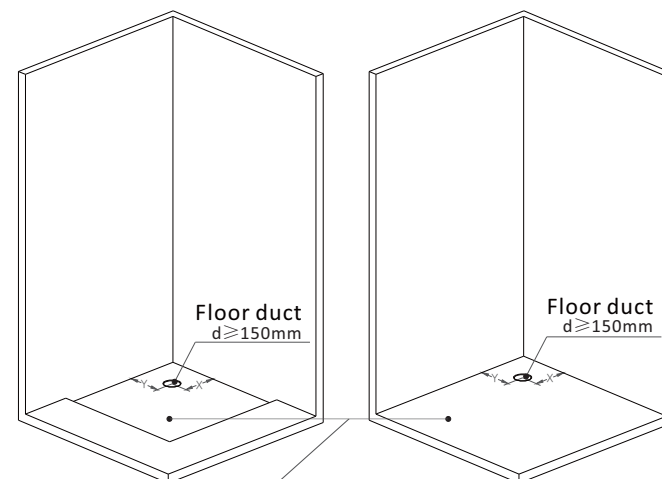
New sanitary wares materials used in the high-tech SMC material, it has easy forming process、 wear-resisting strong、 heat preservation、 insulate、 ageing resistance、 high temperature resistance、 prevent slippery not leak、 not bibulous easy to clean、 Long service life etc. To raise the overall toilet sanitary wares product class, create new wei yu high-tech products, leading the sanitary wares fashion personalized design, reveal life grade.

SMC sanitary wares with the follow advantage :

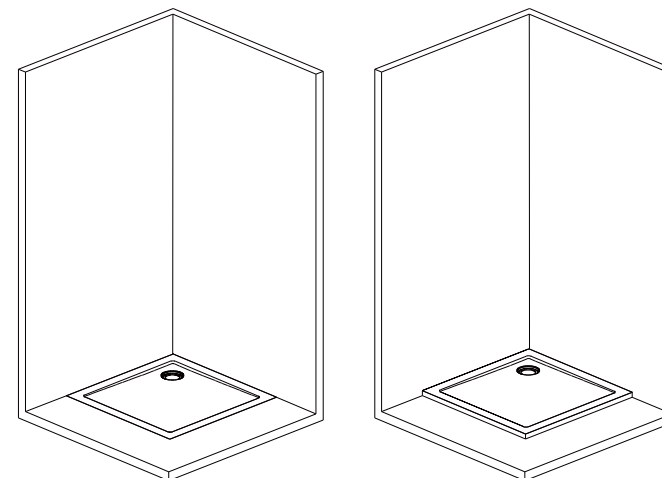
1. One-body shape, The grid to strengthen structure in the back .
2. Precision mould pressing and in high temperature high pressure into; Size ,angle ,line ,and shape can accurate performance product size and shape
3. Installation conveniently and light
4. Porudct with bright colored appearance, uniform color .
5. Smooth surface and good performance of maintaining temperature setting, good in strength ,not easy to break and fade.
6. Safety performance and Insulation degree is high, anti-aging, resistance to high temperature ,anti-skid and water-tight.

! Warm reminder : when SMC in shower , the surface might be a little slippery ,for your own safety, please note that prevent slippery, we suggest you purchase another plastic mat.

SMC TRAY



Make sure its smooth between bottom of tray and floor.

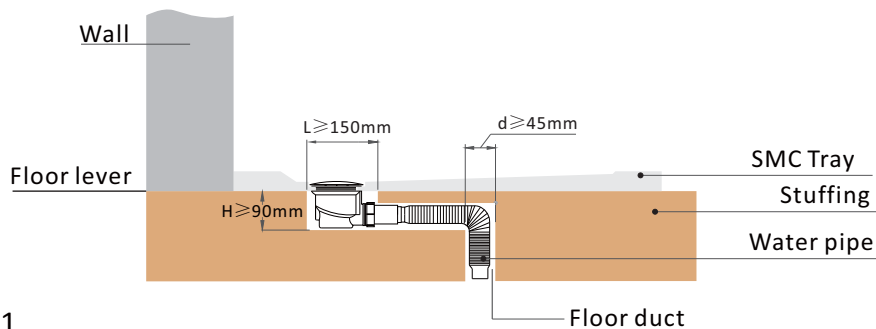


	TS • F80	TS • S80	TS • F90	TS • S90	TS • C12080	TS • C12090		
X	200	600	200	700	600	180	600	180
Y	200	200	200	200	180	600	180	600

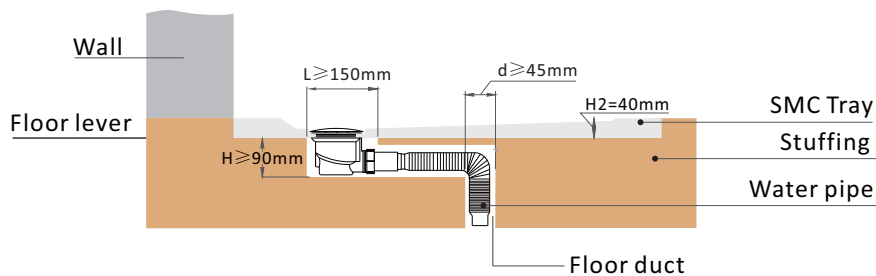
After the tray, you can install the screen. Note: if you used the silicon, please used it 24 hours later.

SMC TRAY

The Structure Diagram For Siphon



Plan1

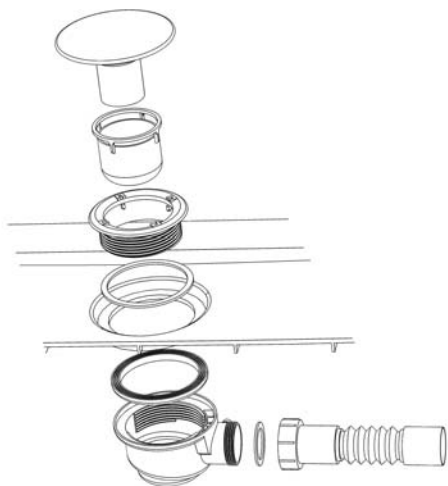


Plan2

You can install SMC tray as your required ,such as plan 1 and plan 2.

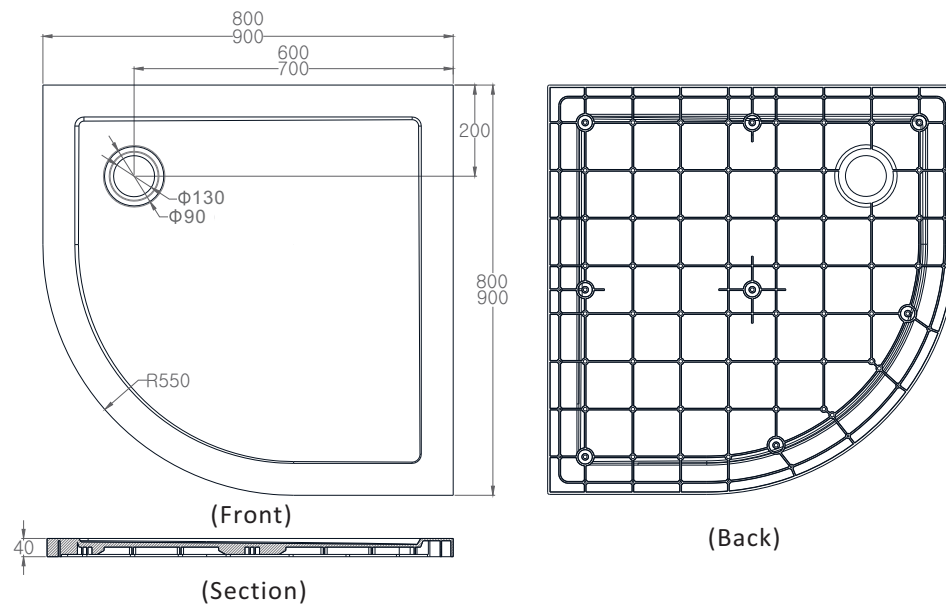
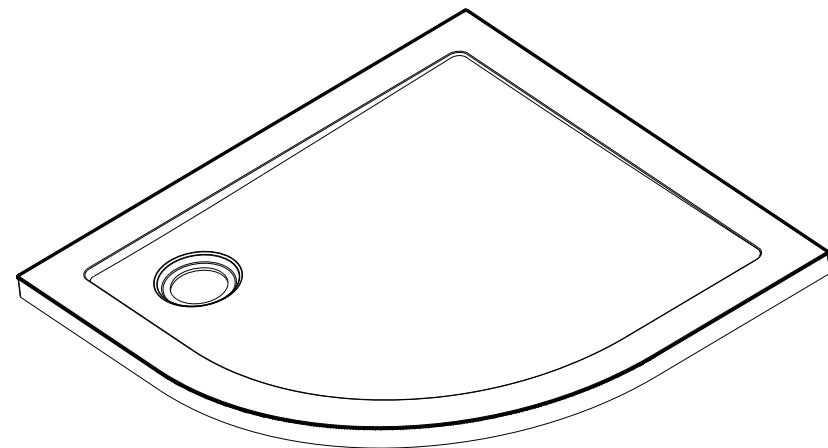
Attention :

- 1.Pl keep the position of hole for siphon in advace,the SMC tray size and structure diagram for a reference.
- 2.Pls make sure its smooth between bottom of tray and floor.



SMC TRAY

TS • S80 \ TS • S90

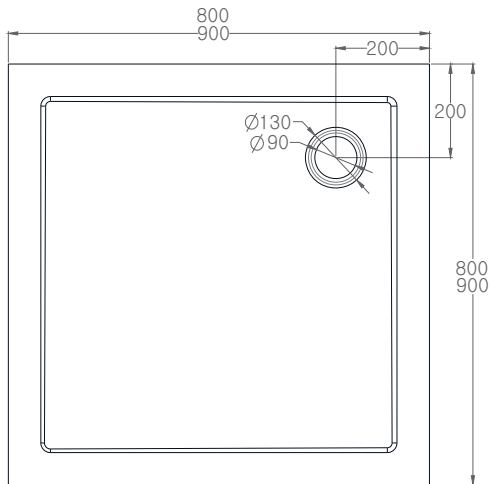
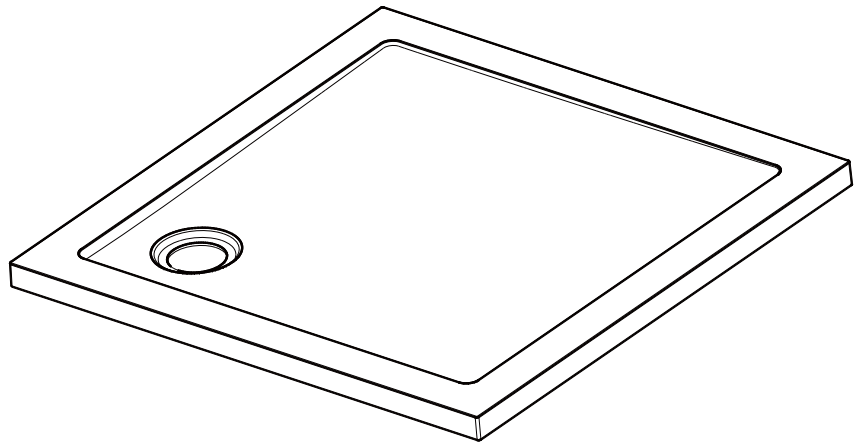


SIZE: 800x800x40mm

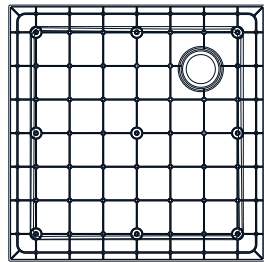
900x900x40mm

SMC TRAY

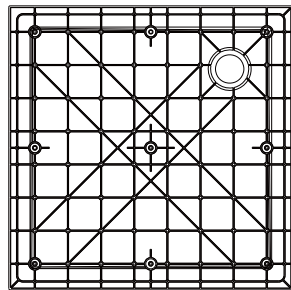
TS • F80 \ TS • F90



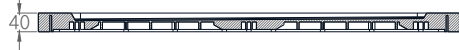
(Front)



(TS • F80)



(TS • F90)
(Back)

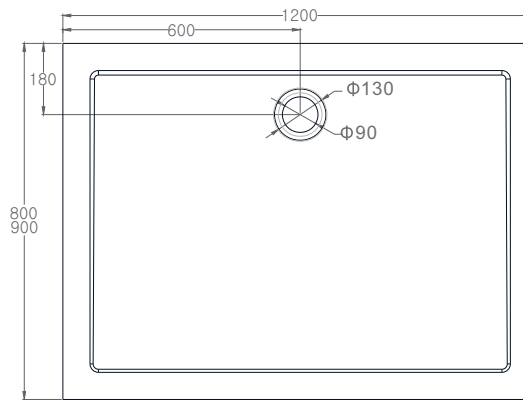
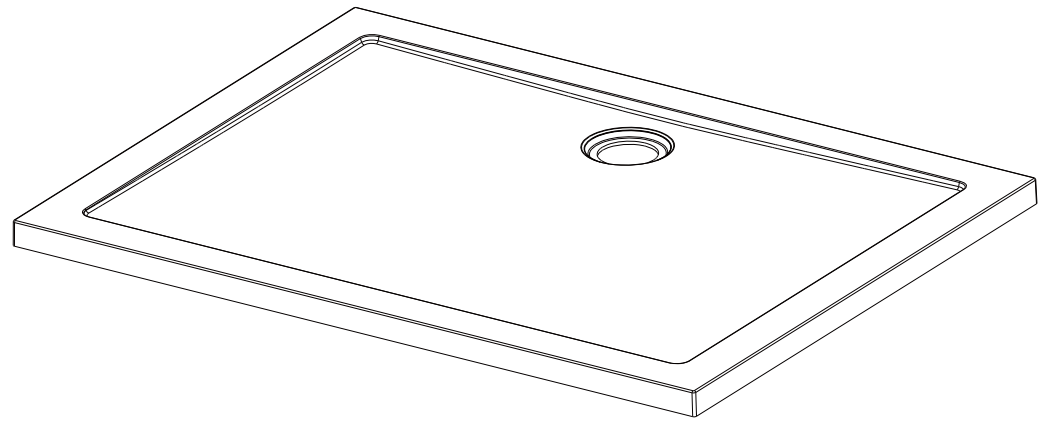


(Section)

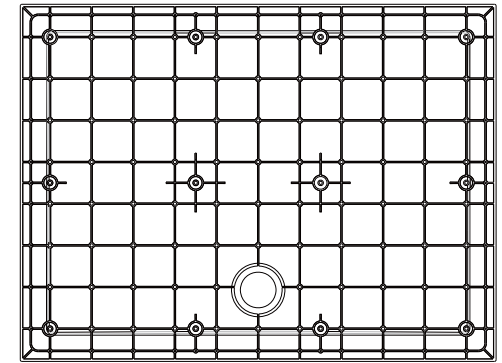
SIZE: 800x800x40mm 900x900x40mm

SMC TRAY

TS • C12080 \ TS • C12090



(Front)



(Back)



(Section)

SIZE: 1200x800x40mm 1200x900x40mm