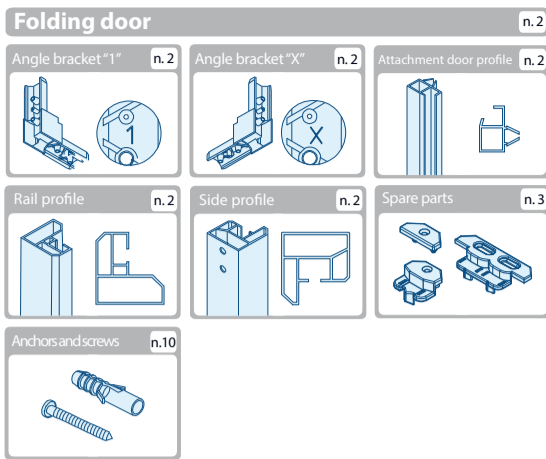
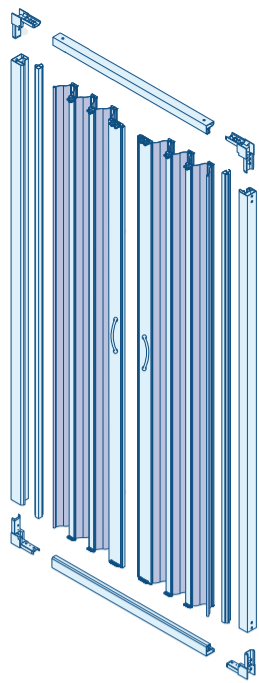
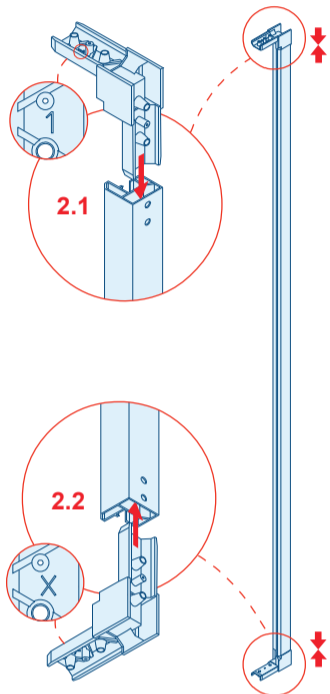


FIRST STAGE

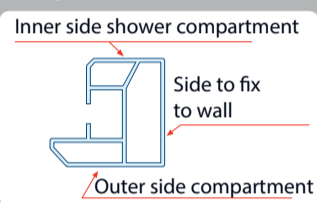


Assembly tools
Level, pencil, awl, hammer, drill, drill bit 6 mm, cross screwdriver, silicone caulking gun.

SECOND STAGE



Side profile section

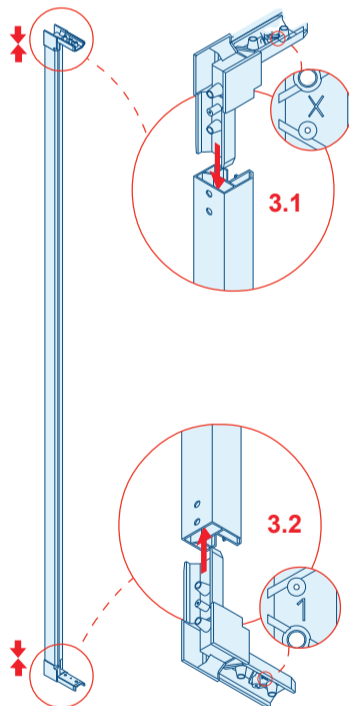


Assembly instructions

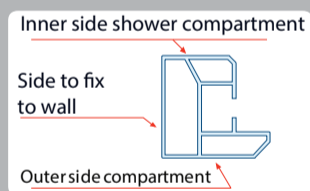
Take the right-side profile, which has two small holes (in the middle) for fixing the magnetic plate (Fig. 2.1) and place it, as shown in the figure, with the widest part facing outward. Place an angle bracket marked by the number "1" in the upper part (Fig. 2.2) and an angle bracket marked by an "X" in the lower part (Fig. 2.3).

IMPORTANT: The sides of the angle bracket marked by the "X" and "1" should not be inserted within the profile, but must remain outside, so that symbols remain visible.

THIRD STAGE



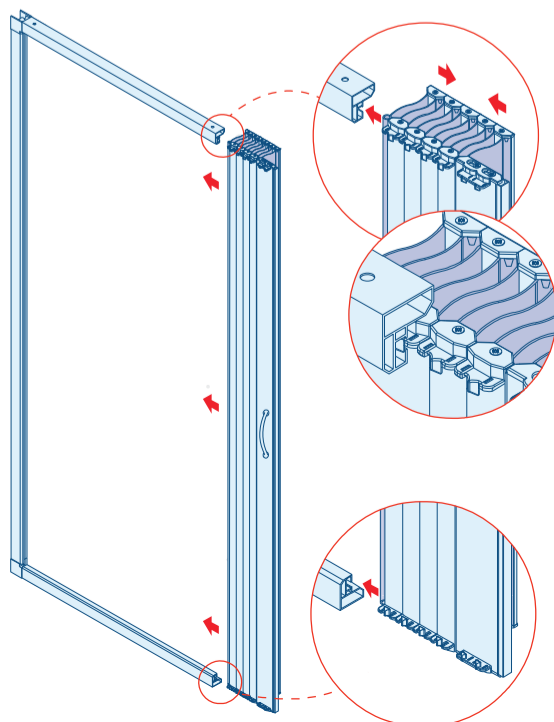
Side profile section



Assembly instructions

Take the left-side profile and place it, as shown in the figure, with the widest part facing outward. Place an angle bracket marked by the number "1" in the upper part (Fig. 3.1) and an angle bracket marked by an "X" in the lower part (Fig. 3.2). **IMPORTANT:** The sides of the angle bracket marked by the "X" and "1" should not be inserted within the profile, but must remain outside, so that symbols remain visible.

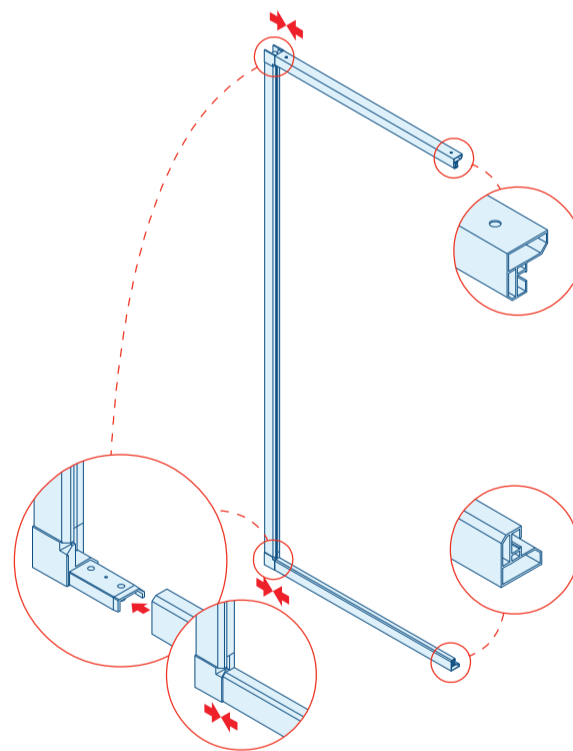
FIFTH STAGE



Assembly instructions

Slide the left folding door in both upper and lower rail profile, as shown in figure, making sure that all door supports are inserted in the rail profile. To make the operation easier cluster the folding doors.

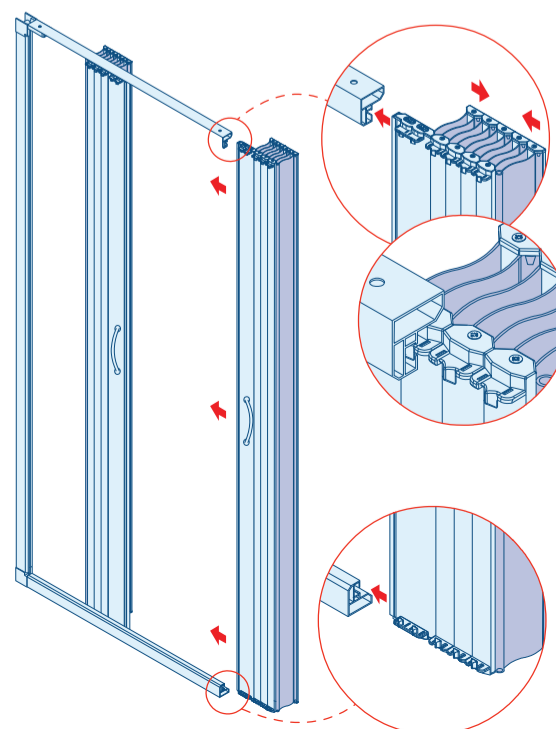
FOURTH STAGE



Assembly instructions

Insert the upper and lower rail profile in the angle brackets of the previously assembled left side profile.

SIXTH STAGE



Assembly instructions

Slide the right folding door in both upper and lower rail profile, as shown in figure, making sure that all door supports are inserted in the rail profile. To make the operation easier cluster the folding doors.

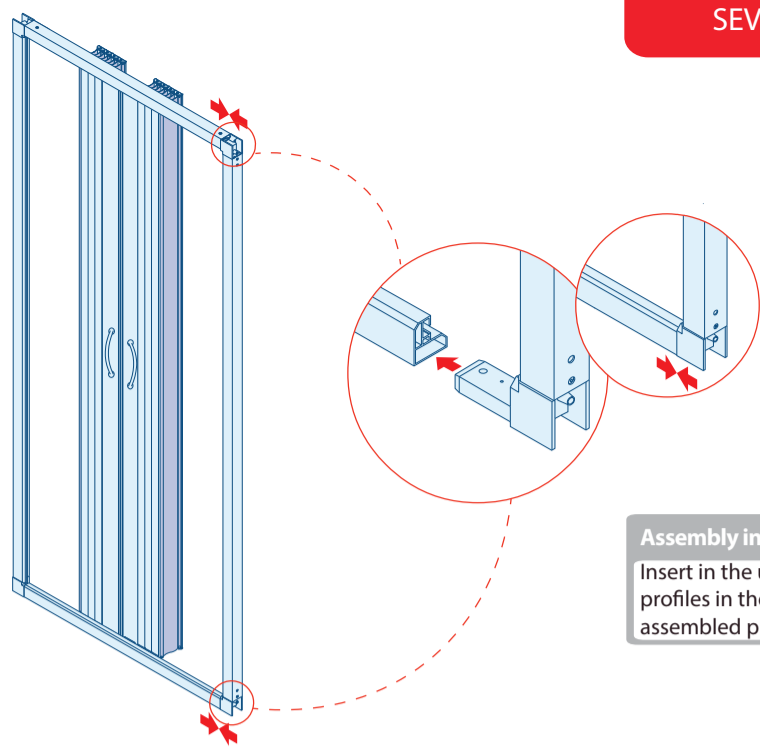
ASSEMBLY INSTRUCTIONS

VERGINE

CENTRAL OPENING

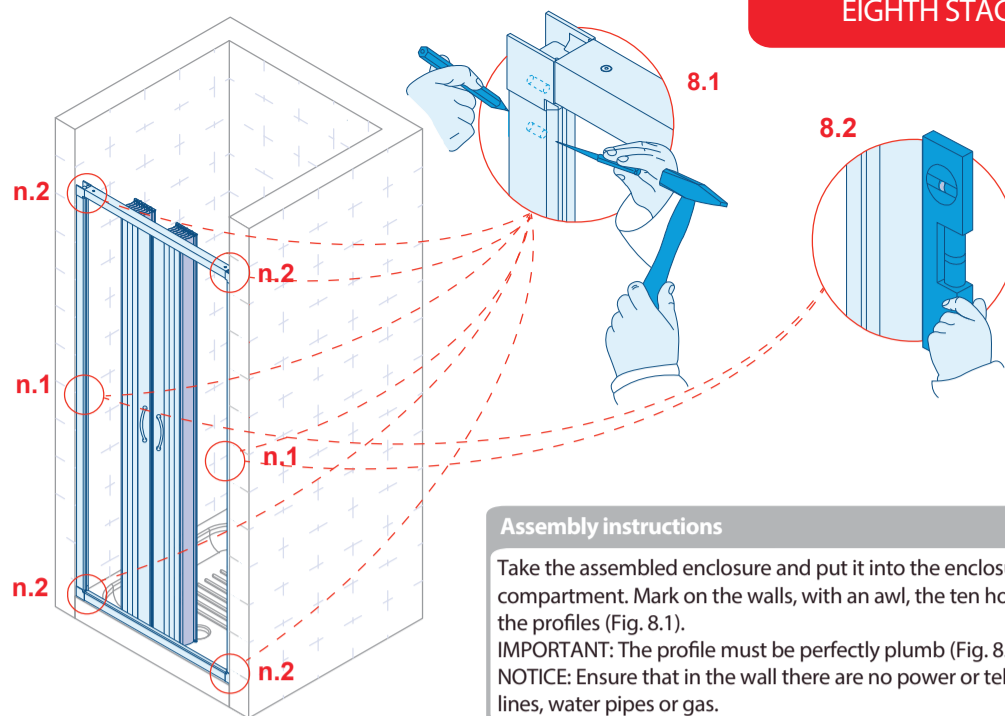


SEVENTH STAGE



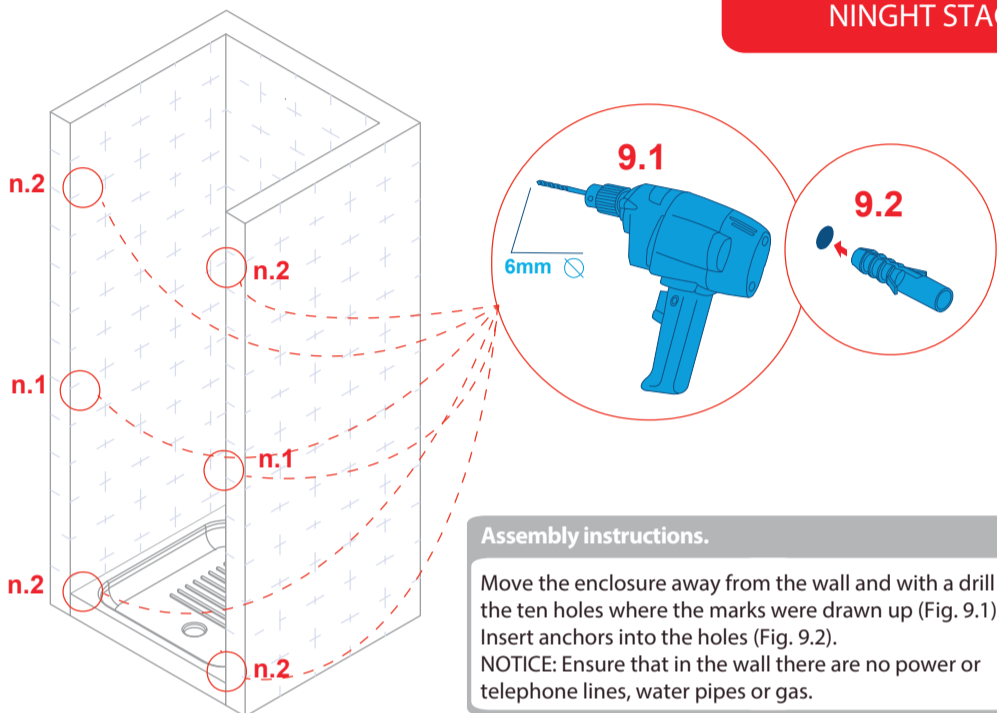
Assembly instructions
Insert in the upper and lower rail profiles in the right side profile, assembled previously.

EIGHTH STAGE



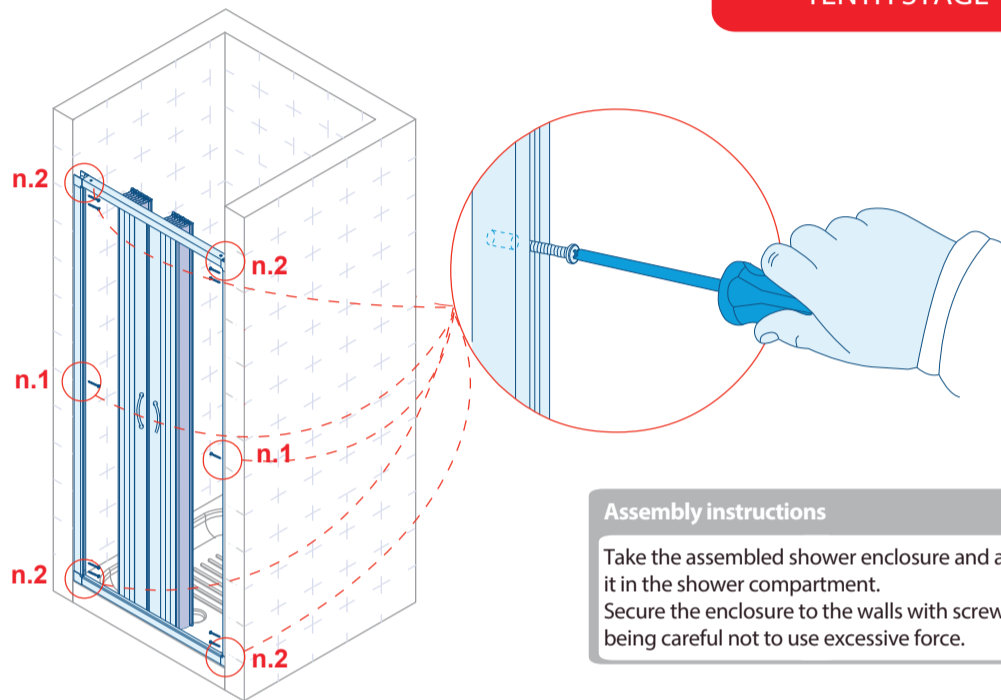
Assembly instructions
Take the assembled enclosure and put it into the enclosure compartment. Mark on the walls, with an awl, the ten holes on the profiles (Fig. 8.1).
IMPORTANT: The profile must be perfectly plumb (Fig. 8.2).
NOTICE: Ensure that in the wall there are no power or telephone lines, water pipes or gas.

NINGHT STAGE



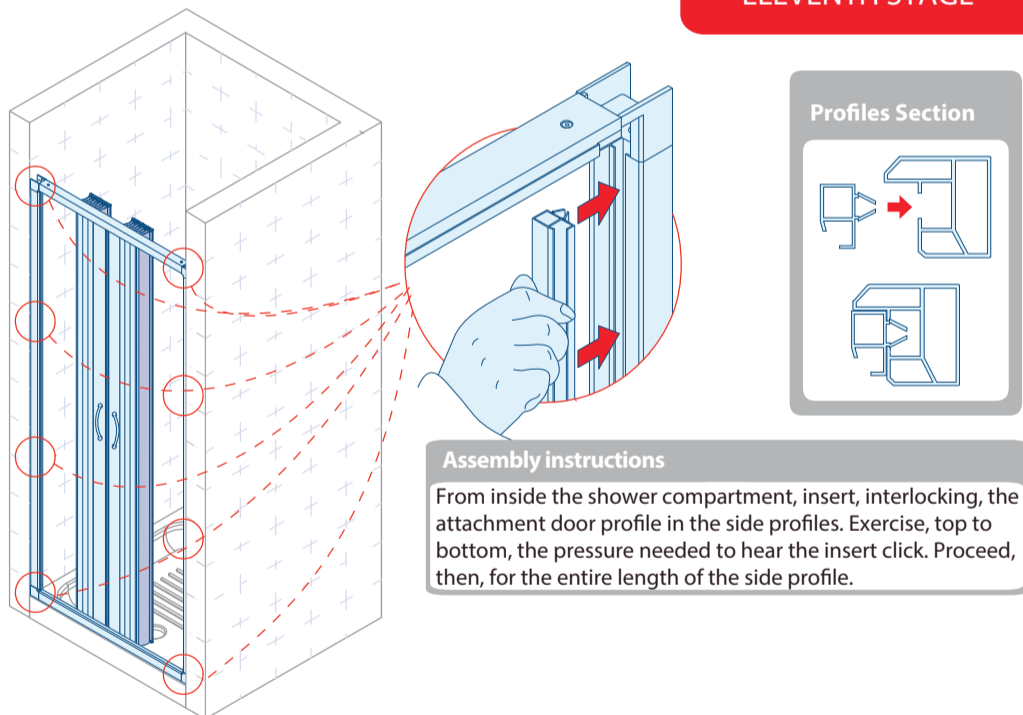
Assembly instructions.
Move the enclosure away from the wall and with a drill pierce the ten holes where the marks were drawn up (Fig. 9.1). Insert anchors into the holes (Fig. 9.2).
NOTICE: Ensure that in the wall there are no power or telephone lines, water pipes or gas.

TENTH STAGE



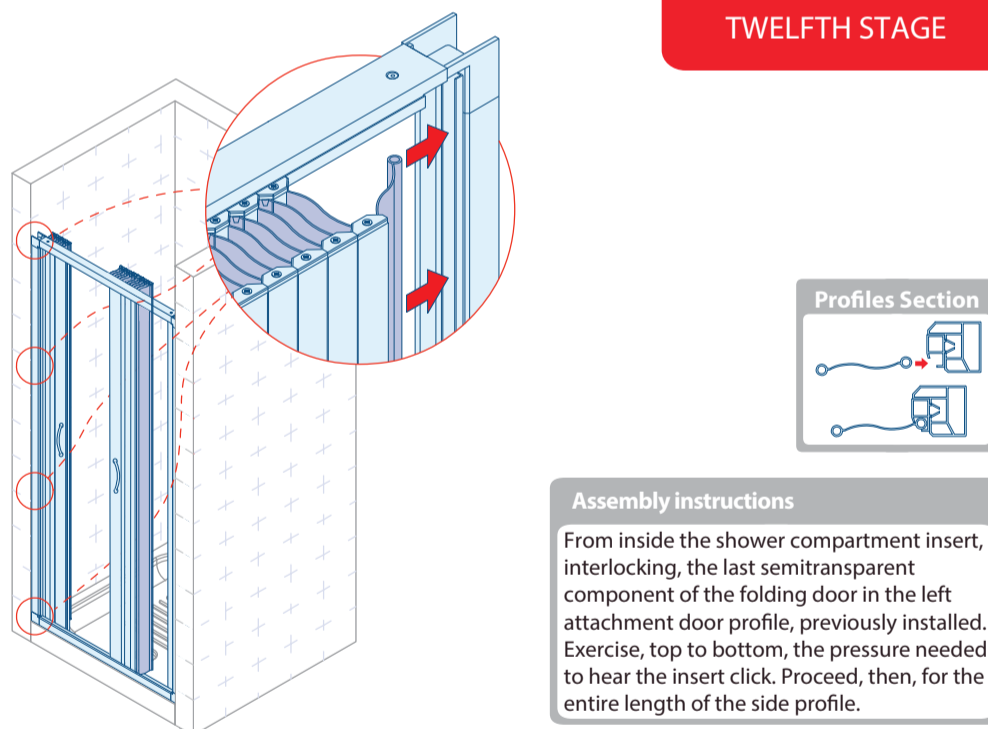
Assembly instructions
Take the assembled shower enclosure and add it in the shower compartment. Secure the enclosure to the walls with screws, being careful not to use excessive force.

ELEVENTH STAGE



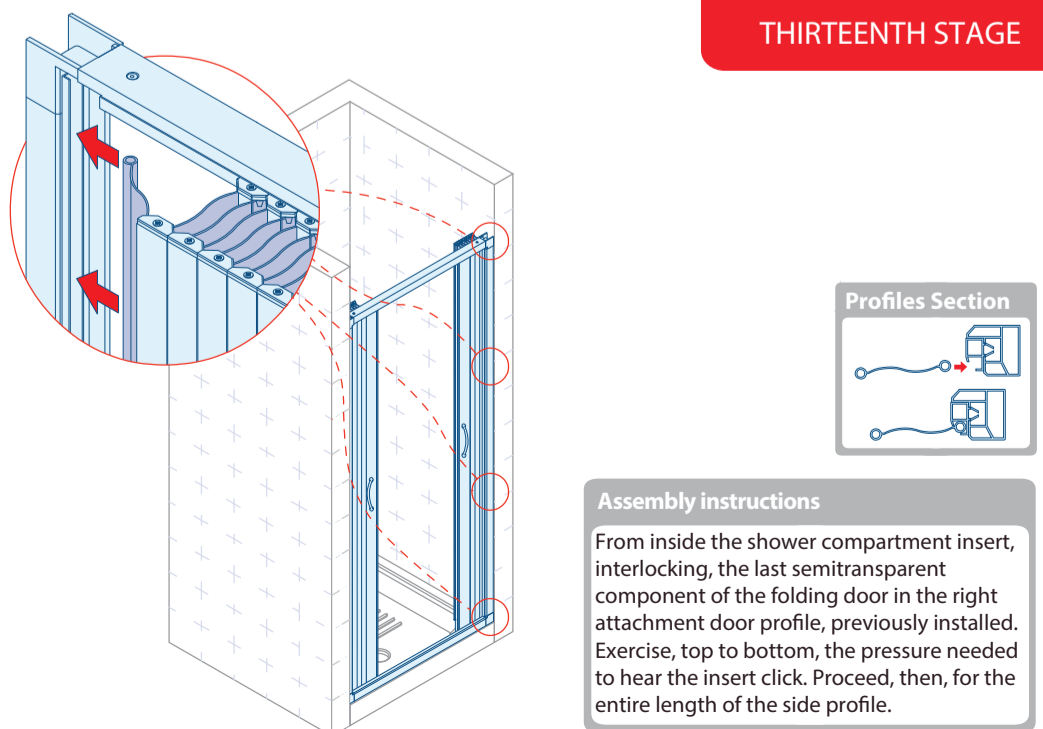
Assembly instructions
From inside the shower compartment, insert, interlocking, the attachment door profile in the side profiles. Exercise, top to bottom, the pressure needed to hear the insert click. Proceed, then, for the entire length of the side profile.

TWELFTH STAGE



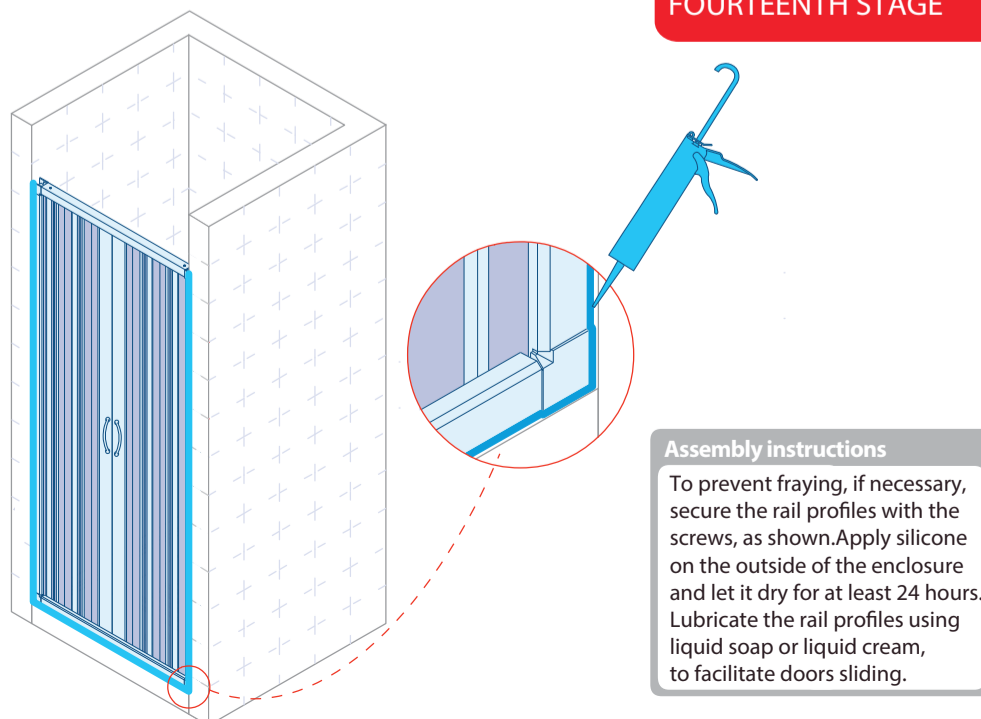
Assembly instructions
From inside the shower compartment insert, interlocking, the last semitransparent component of the folding door in the left attachment door profile, previously installed. Exercise, top to bottom, the pressure needed to hear the insert click. Proceed, then, for the entire length of the side profile.

THIRTEENTH STAGE



Assembly instructions
From inside the shower compartment insert, interlocking, the last semitransparent component of the folding door in the right attachment door profile, previously installed. Exercise, top to bottom, the pressure needed to hear the insert click. Proceed, then, for the entire length of the side profile.

FOURTEENTH STAGE



Assembly instructions
To prevent fraying, if necessary, secure the rail profiles with the screws, as shown. Apply silicone on the outside of the enclosure and let it dry for at least 24 hours. Lubricate the rail profiles using liquid soap or liquid cream, to facilitate doors sliding.