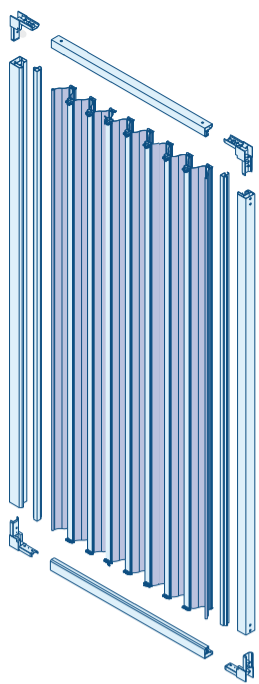


## FIRST STAGE

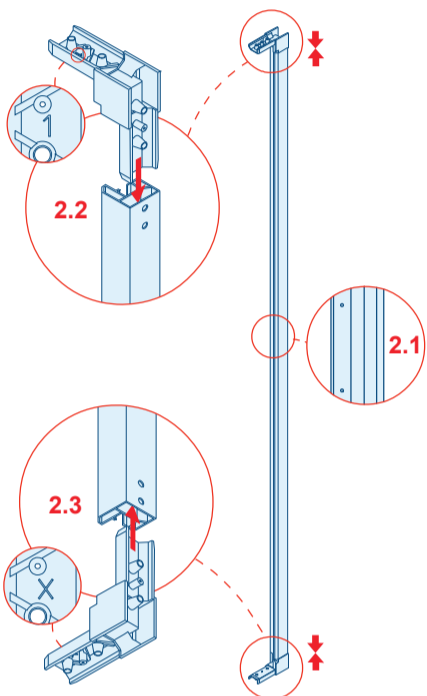


**Folding door** n.1

Angle bracket "1" n.2	Angle bracket "X" n.2	Attachment door profile n.1
Incoming profile for door n.1	Rail profile n.2	Side profile n.2
Spare parts n.3	Anchors and screws n.10	Magnetic plate n.1

**Assembly tools**  
Level, pencil, awl, hammer, drill, drill bit 6 mm, cross screwdriver, silicone caulking gun.

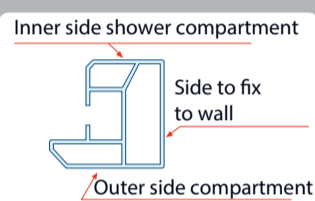
## SECOND STAGE



### Reversible enclosure

The images and assembly are related to the enclosure with right opening. If you wish the left opening, simply invert the position of the two side profiles, in order to have the profile with the small holes for fixing the magnetic plate (Fig. 2.1) on the left side.

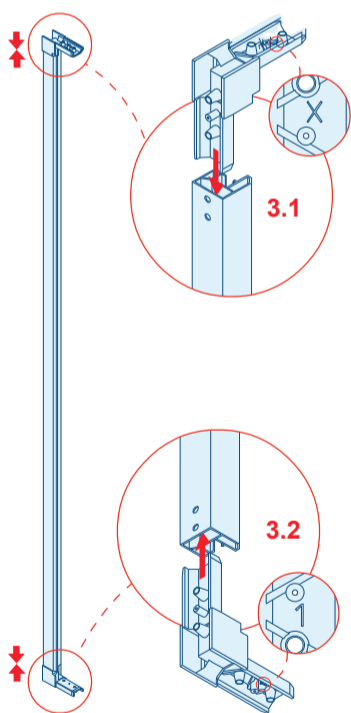
### Side profile section



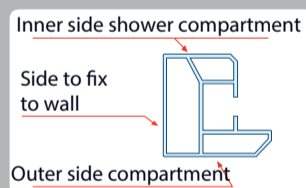
### Assembly instructions

Take the right-side profile, which has two small holes (in the middle) for fixing the magnetic plate (Fig. 2.1) and place it, as shown in the figure, with the widest part facing outward. Place an angle bracket marked by the number "1" in the upper part (Fig. 2.2) and an angle bracket marked by an "X" in the lower part (Fig. 2.3). **IMPORTANT:** The sides of the angle bracket marked by the "X" and "1" should not be inserted within the profile, but must remain outside, so that symbols remain visible.

## THIRD STAGE



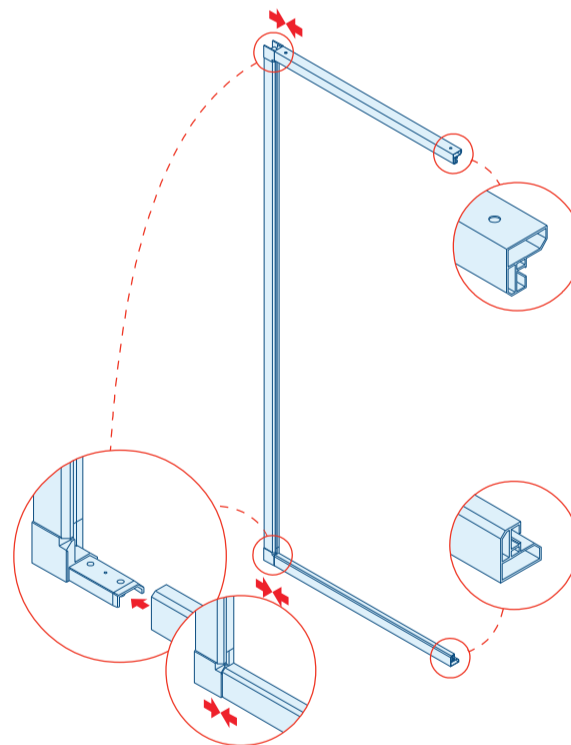
### Side profile section



### Assembly instructions

Take the left-side profile and place it, as shown in the figure, with the widest part facing outward. Place an angle bracket marked by the number "1" in the upper part (Fig. 3.1) and an angle bracket marked by an "X" in the lower part (Fig. 3.2). **IMPORTANT:** The sides of the angle bracket marked by the "X" and "1" should not be inserted within the profile, but must remain outside, so that symbols remain visible.

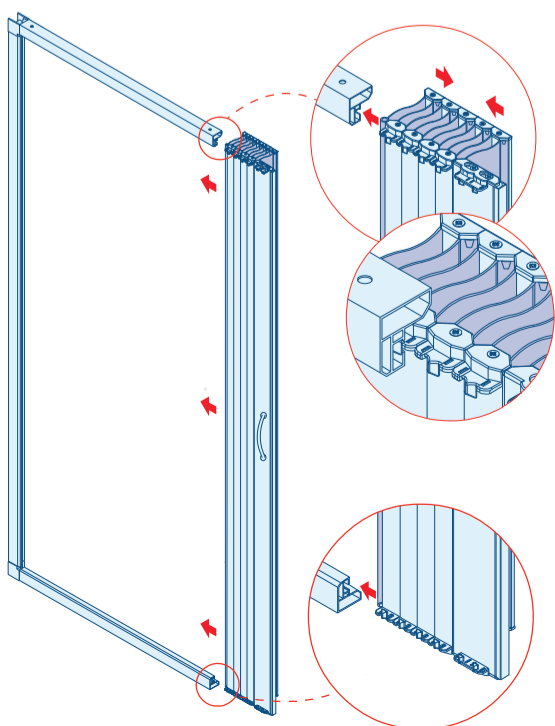
## FOURTH STAGE



### Assembly instructions

Insert the upper and lower rail profile in the angle brackets of the previously assembled left side profile.

## FIFTH STAGE



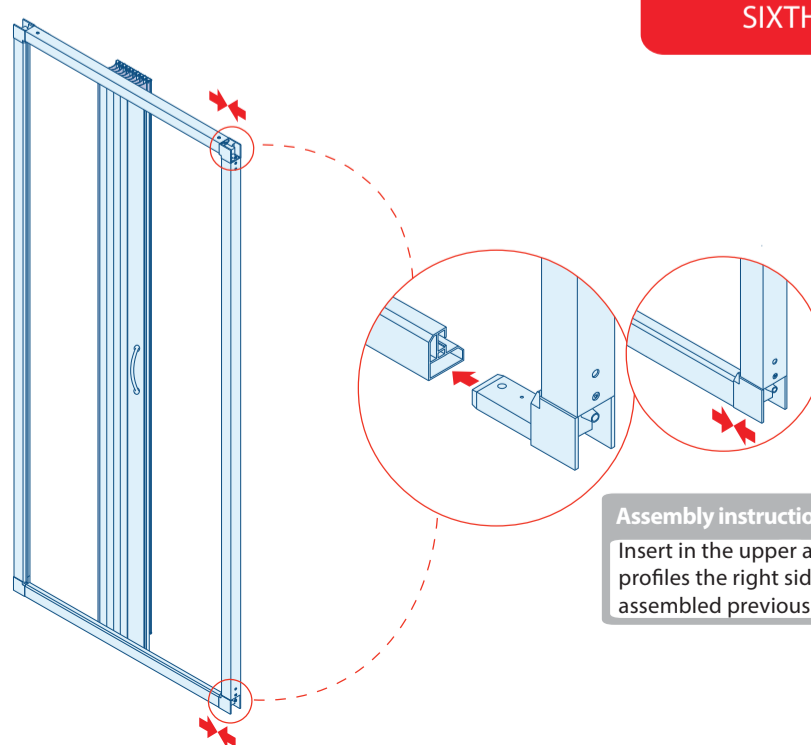
### Assembly instructions

Slide the folding door in both upper and lower rail profile, as shown in figure, making sure that all door supports are inserted in the rail profile. To make the operation easier cluster the folding doors.

### Reversible enclosure

Slide the folding door in both upper and lower rail profile, as shown in figure, making sure that all door supports are inserted in the rail profile. To make the operation easier cluster the folding doors.

## SIXTH STAGE



### Assembly instructions

Insert in the upper and lower rail profiles the right side profile, assembled previously.

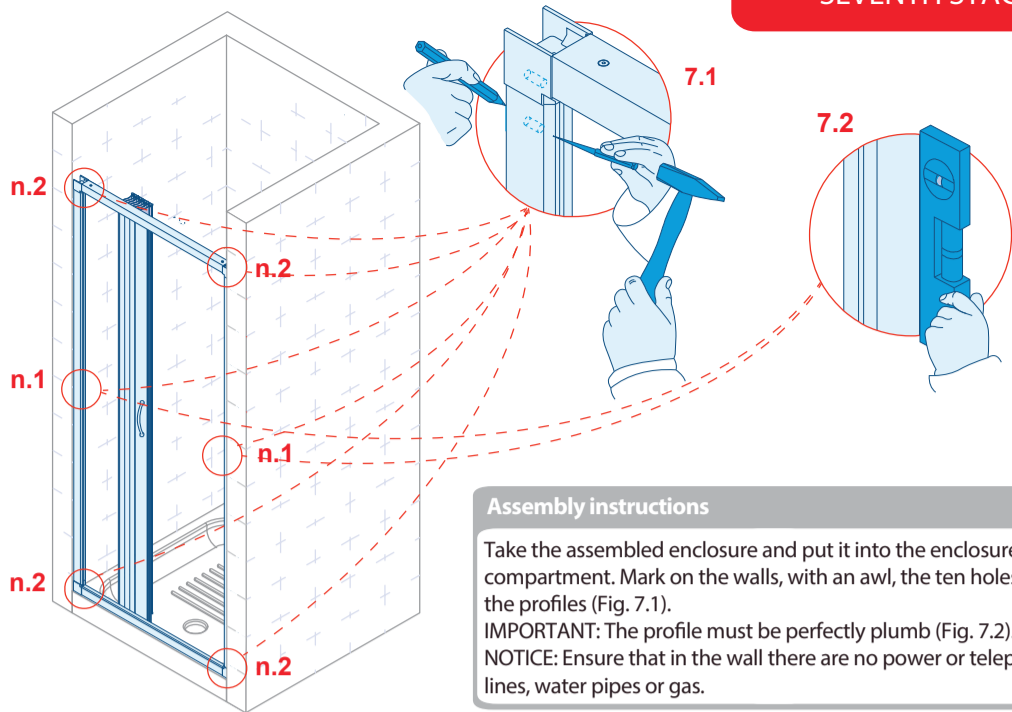


# ASSEMBLY INSTRUCTIONS

# VERGINE

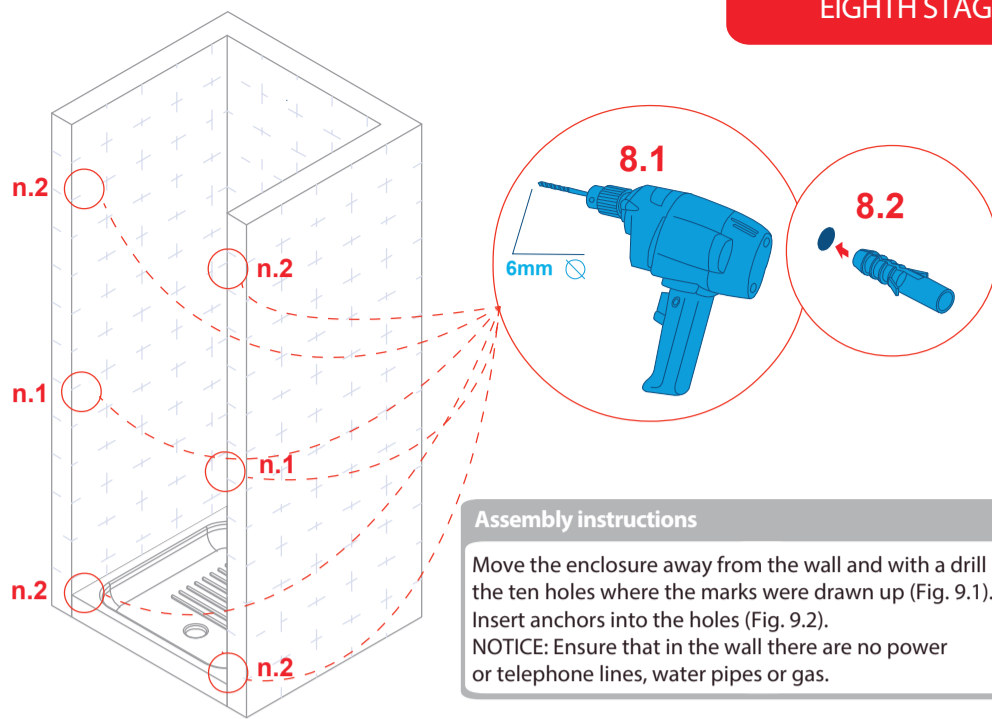
SIDE OPENING

### SEVENTH STAGE



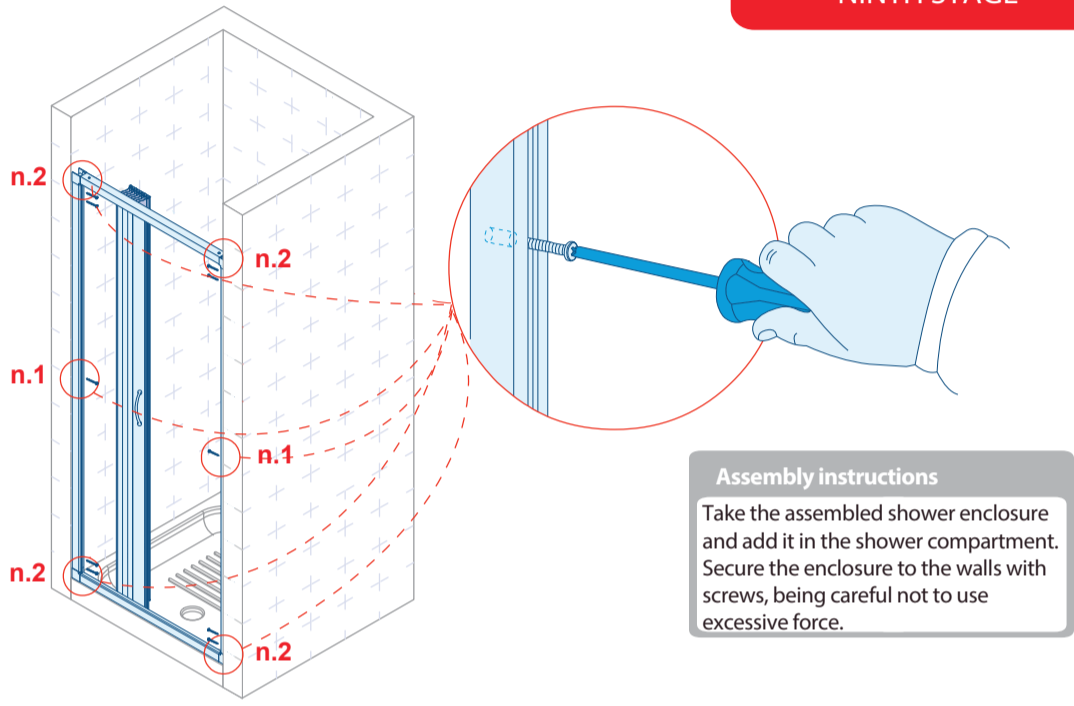
**Assembly instructions**  
 Take the assembled enclosure and put it into the enclosure compartment. Mark on the walls, with an awl, the ten holes on the profiles (Fig. 7.1).  
**IMPORTANT:** The profile must be perfectly plumb (Fig. 7.2).  
**NOTICE:** Ensure that in the wall there are no power or telephone lines, water pipes or gas.

### EIGHTH STAGE



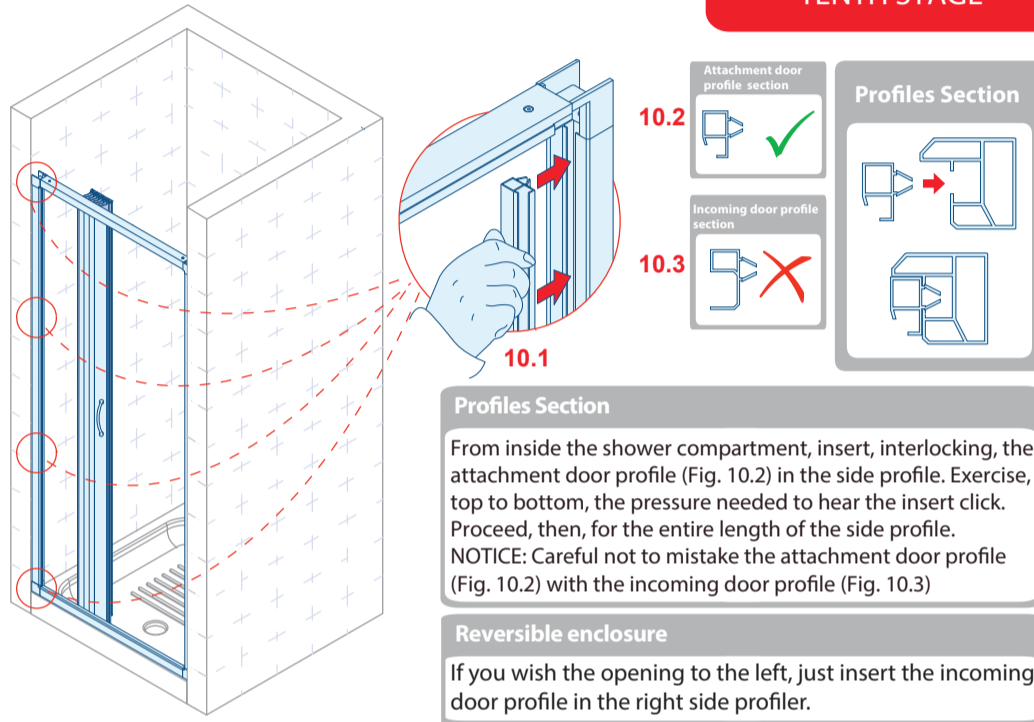
**Assembly instructions**  
 Move the enclosure away from the wall and with a drill pierce the ten holes where the marks were drawn up (Fig. 9.1).  
 Insert anchors into the holes (Fig. 9.2).  
**NOTICE:** Ensure that in the wall there are no power or telephone lines, water pipes or gas.

### NINTH STAGE



**Assembly instructions**  
 Take the assembled shower enclosure and add it in the shower compartment. Secure the enclosure to the walls with screws, being careful not to use excessive force.

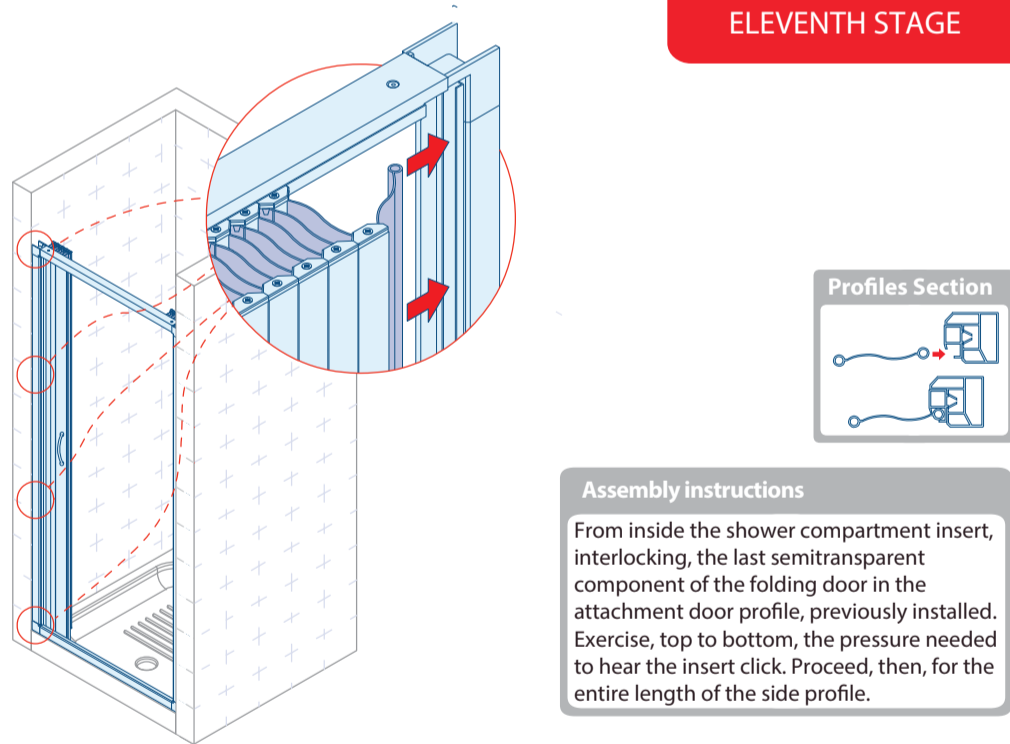
### TENTH STAGE



**Profiles Section**  
 From inside the shower compartment, insert, interlocking, the attachment door profile (Fig. 10.2) in the side profile. Exercise, top to bottom, the pressure needed to hear the insert click. Proceed, then, for the entire length of the side profile.  
**NOTICE:** Careful not to mistake the attachment door profile (Fig. 10.2) with the incoming door profile (Fig. 10.3)

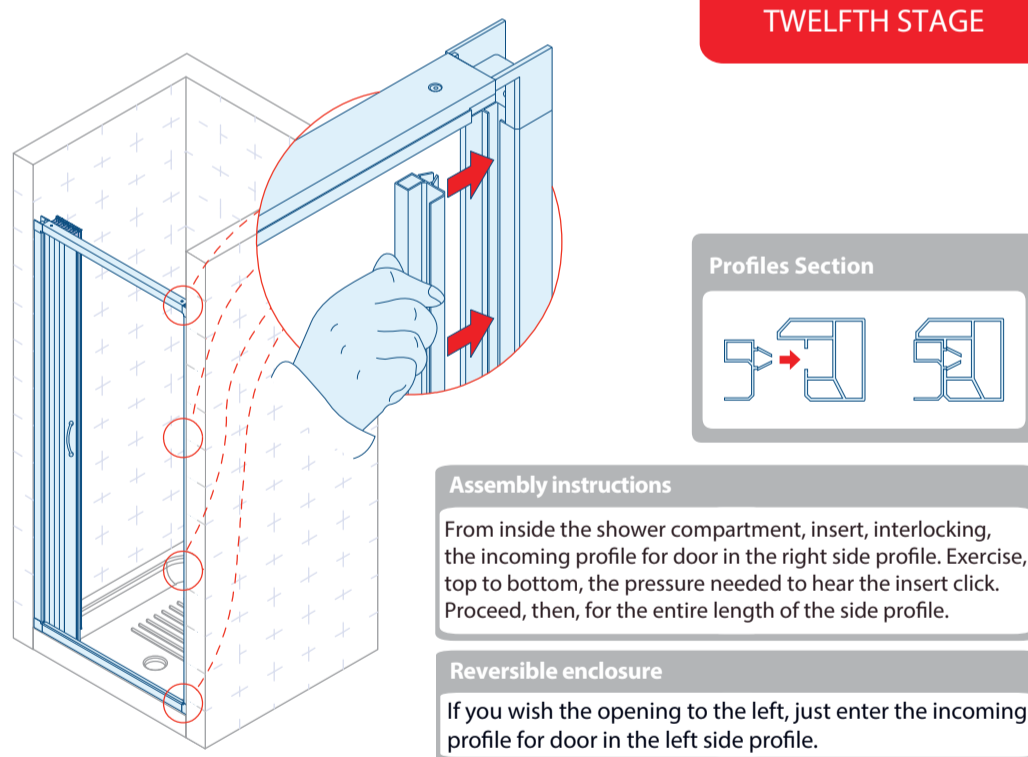
**Reversible enclosure**  
 If you wish the opening to the left, just insert the incoming door profile in the right side profiler.

### ELEVENTH STAGE



**Assembly instructions**  
 From inside the shower compartment insert, interlocking, the last semitransparent component of the folding door in the attachment door profile, previously installed. Exercise, top to bottom, the pressure needed to hear the insert click. Proceed, then, for the entire length of the side profile.

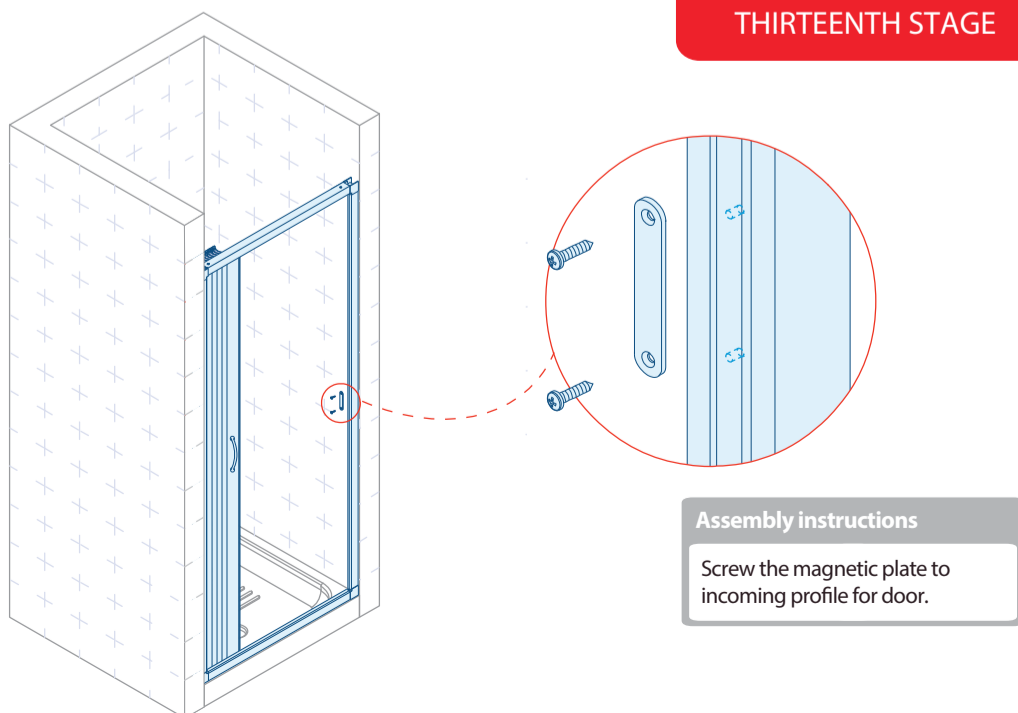
### TWELFTH STAGE



**Assembly instructions**  
 From inside the shower compartment, insert, interlocking, the incoming profile for door in the right side profile. Exercise, top to bottom, the pressure needed to hear the insert click. Proceed, then, for the entire length of the side profile.

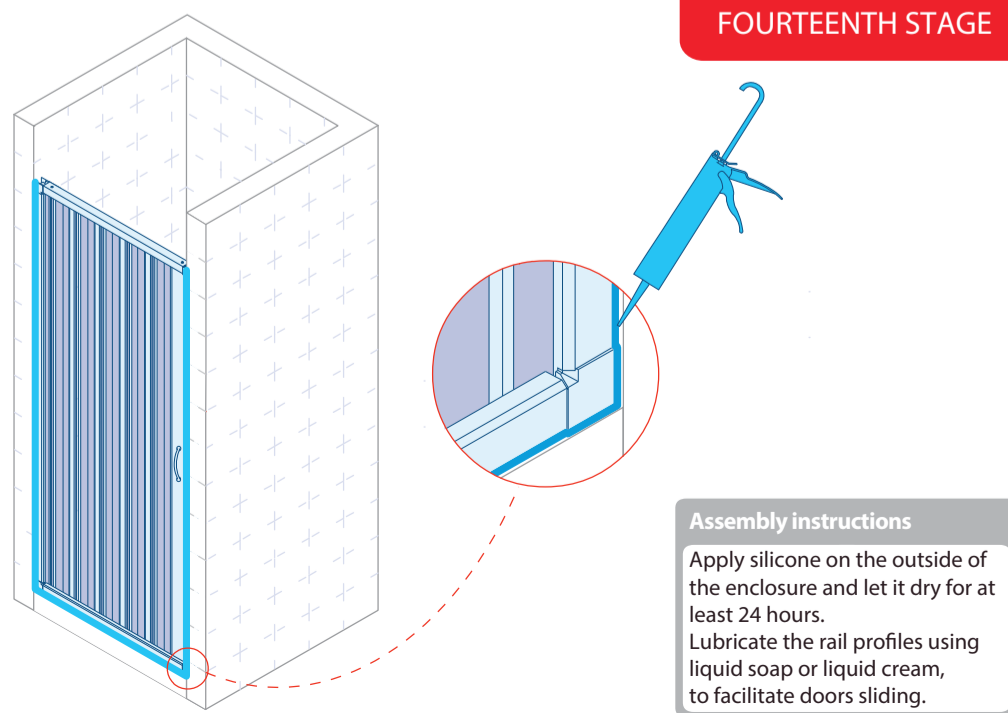
**Reversible enclosure**  
 If you wish the opening to the left, just enter the incoming profile for door in the left side profile.

### THIRTEENTH STAGE



**Assembly instructions**  
 Screw the magnetic plate to incoming profile for door.

### FOURTEENTH STAGE



**Assembly instructions**  
 Apply silicone on the outside of the enclosure and let it dry for at least 24 hours.  
 Lubricate the rail profiles using liquid soap or liquid cream, to facilitate doors sliding.